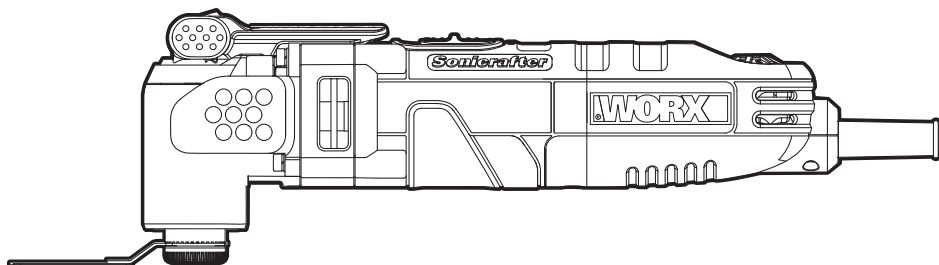


WORX®



Sonicrafter®

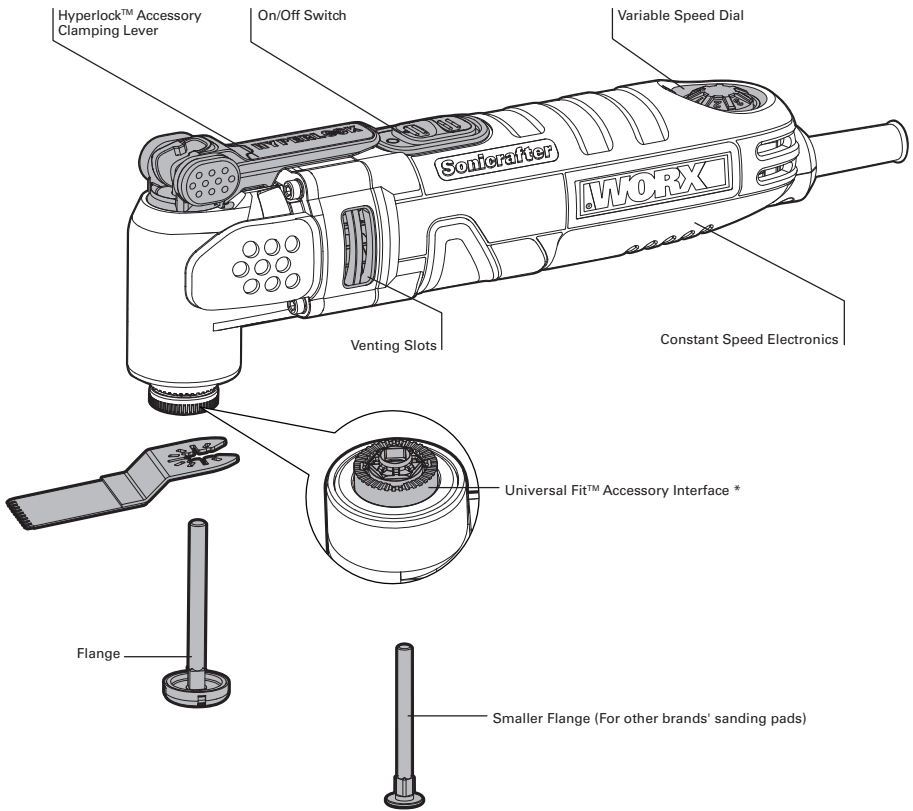
SAFETY AND OPERATING MANUAL

ORIGINAL INSTRUCTIONS

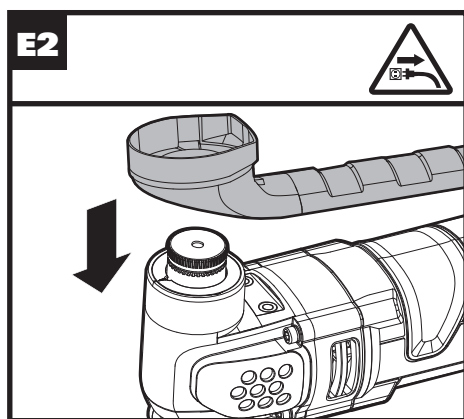
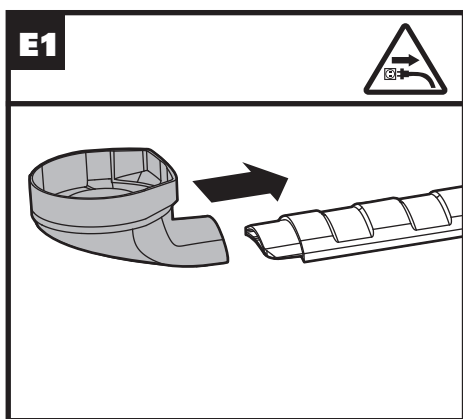
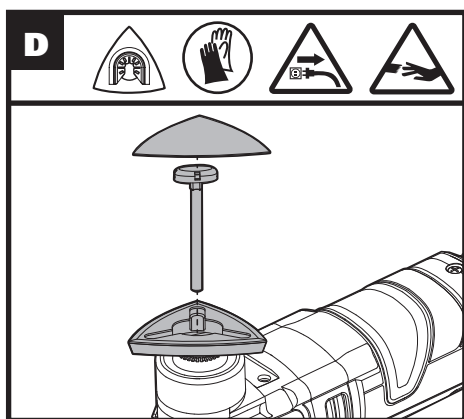
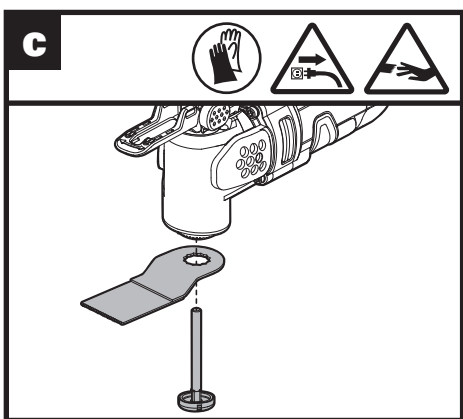
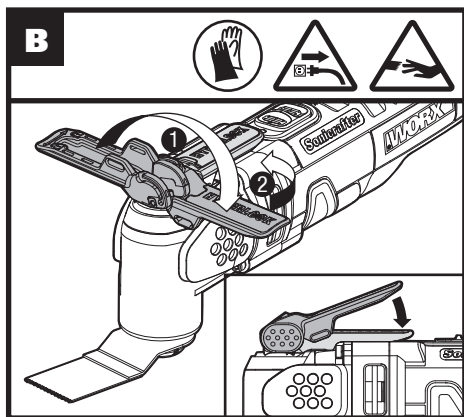
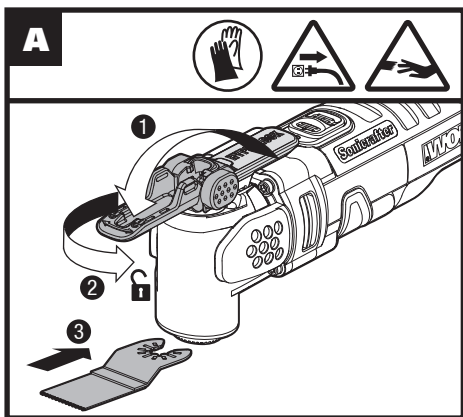
Oscillating Tool

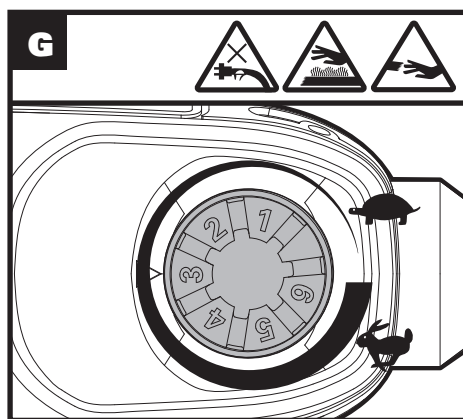
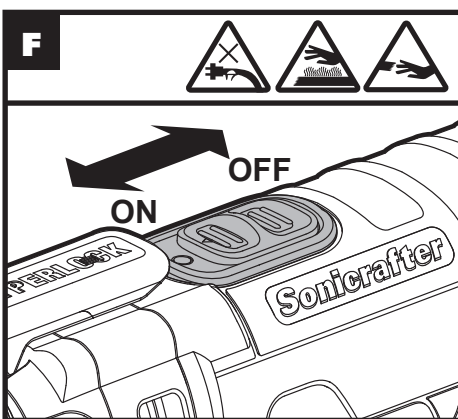
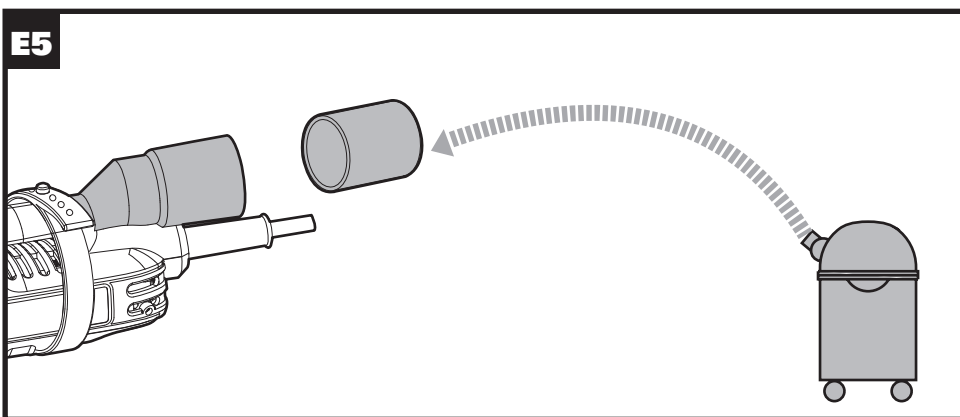
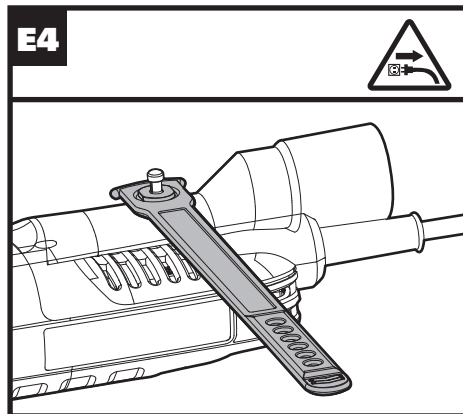
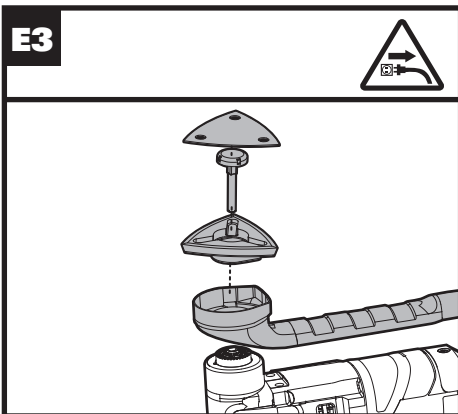
WX685






* Works with other oscillating tool brands' accessories.
 The following brands are trademarks owned by third parties which may be registered by their respective owners:
 Black & Decker®, Bosch®, Chicago Electric®, Craftsman®, Dremel®, Fein®, Genesis®, Makita®, Mastercraft®, Milwaukee®, Performax®,
 Porter Cable®, Ridgid®, Ryobi®, Skil®, and Tool Shop®.






TECHNICAL DATA

Type Designation	WX685 (6-designation of machinery, representative of sonicrafter)
Rated voltage	230-240V~50Hz
Rated power	250W
Oscillations speed	12000-21000/min
Oscillations angle	3.2°
Protection class	 /II
Tool weight (without power cable)	1.3kg


NOISE INFORMATION

A weighted sound pressure:	84dB(A)
A weighted sound power:	95dB(A)
K_{pA} & K_{wA} :	3.0dB(A)
Wear ear protection when sound pressure is over:	80dB(A) 

VIBRATION INFORMATION

Vibration total values (triax vector sum) determined according to EN 60745:	
Typical weighted vibration	Vibration emission value $a_n = 3.32m/s^2$
	Uncertainty $K = 1.5m/s^2$

The declared vibration total value may be used for comparing one tool with another, and may also be used in a preliminary assessment of exposure.

 **WARNING:** The vibration emission value during actual use of the power tool can differ from the declared value depending on the ways in which the tool is used dependant on the following examples and other variations on how the tool is used:

How the tool is used and the materials being cut or sanded.


The tool being in good condition and well maintained

The use the correct accessory for the tool and ensuring it is sharp and in good condition.

The tightness of the grip on the handles and if any anti vibration accessories are used.

And the tool is being used as intended by its design and these instructions.

This tool may cause hand-arm vibration syndrome if its use is not adequately managed

 **WARNING:** To be accurate, an estimation of exposure level in the actual conditions of use should also take account of all parts of the operating cycle such as the times when the tool is switched off and when it is running idle but not actually doing the job. This may significantly reduce the exposure level over the total working period.

Helping to minimize your vibration exposure risk.

ALWAYS use sharp chisels, drills and blades.

Maintain this tool in accordance with these instructions and keep well lubricated (where appropriate).

If the tool is to be used regularly then invest in anti vibration accessories.


Avoid using tools in temperatures of 10°C or less.

Plan your work schedule to spread any high vibration tool use across a number of days.

ORIGINAL INSTRUCTIONS

GENERAL POWER TOOL

SAFETY WARNINGS

 **WARNING!** Read all safety warnings and all instructions. Failure to follow the warnings and instructions may result in electric shock, fire and/or serious injury.

Save all warnings and instructions for future reference.

The term “power tool” in the warnings refers to your mains-operated (corded) power tool or battery-operated (cordless) power tool.

1) WORK AREA SAFETY

- a) **Keep work area clean and well lit.**
Cluttered or dark areas invite accidents.
- b) **Do not operate power tools in explosive atmospheres, such as in the presence of flammable liquids, gases or dust.** Power tools create sparks which may ignite the dust or fumes.
- c) **Keep children and bystanders away while operating a power tool.**
Distractions can cause you to lose control.

2) ELECTRICAL SAFETY

- a) **Power tool plugs must match the outlet. Never modify the plug in any way. Do not use any adapter plugs with earthed (grounded) power tools.**
Unmodified plugs and matching outlets will reduce risk of electric shock.
- b) **Avoid body contact with earthed or grounded surfaces, such as pipes, radiators, ranges and refrigerators.**
There is an increased risk of electric shock if your body is earthed or grounded.
- c) **Do not expose power tools to rain or wet conditions.** Water entering a power tool will increase the risk of electric shock.
- d) **Do not abuse the cord. Never use the cord for carrying, pulling or unplugging the power tool. Keep cord away from heat, oil, sharp edges or moving parts.** Damaged or entangled cords increase the risk of electric shock.
- e) **When operating a power tool outdoors, use an extension cord**

suitable for outdoor use. Use of a cord suitable for outdoor use reduces the risk of electric shock.

- f) **If operating a power tool in a damp location is unavoidable, use a residual current device (RCD) protected supply.** Use of an RCD reduces the risk of electric shock.

3) PERSONAL SAFETY

- a) **Stay alert, watch what you are doing and use common sense when operating a power tool. Do not use a power tool while you are tired or under the influence of drugs, alcohol or medication.** A moment of inattention while operating power tools may result in serious personal injury.
- b) **Use personal protective equipment. Always wear eye protection.** Protective equipment such as dust mask, non-skid safety shoes, hard hat, or hearing protection used for appropriate conditions will reduce personal injuries.
- c) **Prevent unintentional starting. Ensure the switch is in the off-position before connecting to power source and/or battery pack, picking up or carrying the tool.** Carrying power tools with your finger on the switch or energising power tools that have the switch on invites accidents.
- d) **Remove any adjusting key or wrench before turning the power tool on.** A wrench or a key left attached to a rotating part of the power tool may result in personal injury.
- e) **Do not overreach. Keep proper footing and balance at all times.** This enables better control of the power tool in unexpected situations.
- f) **Dress properly. Do not wear loose clothing or jewellery. Keep your hair, clothing and gloves away from moving parts.** Loose clothes, jewellery or long hair can be caught in moving parts.
- g) **If devices are provided for the collection of dust extraction and collection facilities, ensure these are connected and properly used.** Use of these devices can reduce dust-related hazards.

4) POWER TOOL USE AND CARE

- a) **Do not force the power tool. Use the correct power tool for your application.** The correct power tool will do the job better and safer at the rate for which it was designed.
- b) **Do not use the power tool if the switch does not turn it on and off.** Any power tool that cannot be controlled with the switch is dangerous and must be repaired.
- c) **Disconnect the plug from the power source and/or the battery pack from the power tool before making any adjustments, changing accessories, or storing power tools.** Such preventive safety measures reduce the risk of starting the power tool accidentally.
- d) **Store idle power tools out of the reach of children and do not allow persons unfamiliar with the power tool or these instructions to operate the power tool.** Power tools are dangerous in the hands of untrained users.
- e) **Maintain power tools. Check for misalignment or binding of moving parts, breakage of parts and any other condition that may affect the power tool's operation. If damaged, have the power tool repaired before use.** Many accidents are caused by poorly maintained power tools.
- f) **Keep cutting tools sharp and clean.** Properly maintained cutting tools with sharp cutting edges are less likely to bind and are easier to control.
- g) **Use the power tool, accessories and tool bits etc. in accordance with these instructions, taking into account the working conditions and the work to be performed.** Use of the power tool for operations different from those intended could result in a hazardous situation.





5) SERVICE



- a) **Have your power tool serviced by a qualified repair person using only identical replacement parts.** This will ensure that the safety of the power tool is maintained.

SAFETY INSTRUCTION FOR CUTTING

1. **Hold power tool by insulated gripping surfaces, when performing an operation where the cutting accessory may contact hidden wiring or its own cord.** Cutting accessory contacting a "live" wire may make exposed metal parts of the power tool "live" and could give the operator an electric shock.
2. **Always wear a dust mask.**

SYMBOLS

	To reduce the risk of injury, user must read instruction manual
	Double insulation
	Warning
	Wear ear protection
	Wear eye protection
	Wear dust mask
	Before working with your tool make sure that no power cords will be damaged.
	Avoid danger of injury from the sharp edges of the accessories.
	Accessories can become very hot while working, presenting danger of burns!
	Make sure the tool is unplugged prior to changing accessories.
	Wear protective gloves
	High oscillation frequency

	Low oscillation frequency
	Waste electrical products must not be disposed of with household waste. Please recycle where facilities exist. Check with your local authorities or retailer for recycling advice.

OPERATING INSTRUCTIONS



NOTE: Before using the tool, read the instruction book carefully.

INTENDED USE

The power tool is intended for sawing and remodelling wooden materials, plastic, plaster, non-ferrous metals and fasteners (e.g. nails and clamps) as well as for working on soft wall tiles and for dry grinding of small surfaces. It is especially suitable for working close to edges and for flush cutting.

ASSEMBLY AND OPERATION

Action	Figure
Mounting Accessories	See Fig. A-C
Mounting The Sanding Sheet	See Fig. D
Mounting The Suction Device (not supplied)	See Fig. E1-E5
Operating The On/Off Switch	See Fig. F
Using the Variable Speed Dial	See Fig. G

The Variable Speed Dial can be used to set the optimum oscillating frequency according to the accessories used and the respective application.

Oscillation Frequency	Application
High oscillation frequency:	Sanding, sawing, rasping and polishing stone and metal.
Low oscillation frequency:	Scraping, polishing varnishes.

WORKING HINTS FOR YOUR TOOL

If your power tool becomes too hot, especially when used at low speed, set the speed to maximum and run it with no load for 2-3 minutes to cool the motor. Avoid prolonged usage at very low speeds. Always keep the blade sharp.

Always ensure the workpiece is firmly held or clamped to prevent movement.

Any movement of the material may affect the quality of the cutting or sanding finish.

Start your tool before working and turn it off only after you stop working.

Do not start sanding without having the sandpaper fitted.

Do not allow the sandpaper to wear away, it will damage the sanding pad. The guarantee does not cover sanding pad wear and tear.

Use coarse grit paper to sand rough surfaces, medium grit for smooth surfaces and fine grit for finishing surfaces. If necessary, first make a test run on scrap material.

Excessive force will reduce the working efficiency and cause motor overload.

Replacing the accessory regularly will maintain optimum working efficiency.

MAINTAIN TOOLS WITH CARE

Remove the plug from the socket before carrying out any adjustment, servicing or maintenance.


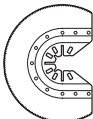
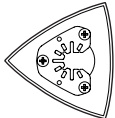





Your power tool requires no additional lubrication or maintenance. There are no user serviceable parts in your power tool. Never use water or chemical cleaners to clean your power tool. Wipe clean with a dry cloth. Always store your power tool in a dry place. Keep the motor ventilation slots clean. Keep all working controls free of dust. Occasionally you may see sparks through the ventilation slots. This is normal and will not damage your power tool.

If the supply cord is damaged, it must be replaced by the manufacturer, its service agent or similarly qualified persons in order to avoid a hazard.

APPLICATION

! **WARNING: The sawing teeth are very sharp. Do not touch during mounting and application.**

The workpiece must be clamped tightly before it is cut.

	Pic	Description	Application
Sawing		Bi-Metal Metal/Wood End Cut Blade	Wood, plastic, fiberglass, nails, non-ferrous metals, thin sheet metal, hardened fillers.
		Standard Wood End Cut Blade	Wood, plastic, drywall.
		Precision Wood Cut Blade	Wood, soft plastics.
		HSS Semicircle Saw Blade	Thin wood, plastic, fiberglass, non-ferrous metals, thin sheet metal, hardened fillers, window glazing.
Sanding		Sanding Pad (Perforated)	Wood, plastic, hardened fillers.
		Sanding Finger Pad	Wood, plastic, hardened fillers.
Rasping		Triangular Carbide Grit Rasp	Wood, hardened adhesives, thin set, masonry.
		Carbide Rasp (Finger Shaped)	Wood, hardened adhesives, thin set, masonry.
Removing grout		Carbide Grit Semicircle Saw Blade	Grout, porous concrete, masonry.
		Diamond-Coated Semicircle Saw Blade	Ceramic and stone tile, backerboard.
Scraping		Rigid Scraper Blade	Old paint, hardened adhesives, caulk, carpet.
		Flexible Scraper Blade	Elastic sealants, paint, adhesive residues, carpet.

We recommend that you purchase your accessories listed in the above list from the same store that sold you the tool. Use good quality accessories marked with a well-known brand name. Refer to the accessory packaging for further details. Store personnel can assist you and offer advice.

NOTE: When plunging and sawing use a slight pendulum motion, to allow sufficient chip removal.

The saw blade lasts longer if the wear is distributed evenly. To ensure an even distribution, loosen the saw blade, rotate it and retighten firmly.

Cut/Sand with a constant movement and light pressure.

Heavy pressure does not increase the cut/removal rate – the accessory merely wears faster.

ENVIRONMENTAL PROTECTION



Waste electrical products must not be disposed of with household waste.

■ Please recycle where facilities exist.

Check with your local authorities or retailer for recycling advice.

PLUG REPLACEMENT (UK & IRELAND ONLY)

If you need to replace the fitted plug then follow the instructions below.

IMPORTANT

The wires in the mains lead are colored in accordance with the following code:

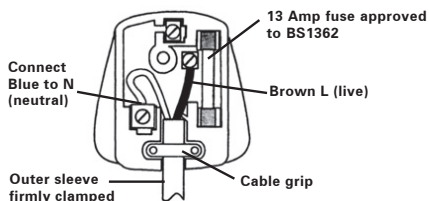
blue – neutral

brown – live

As the colors of the wires in the mains lead of this appliance may not correspond with the coloured markings identifying the terminals in your plug, proceed as follows. The wire which is coloured blue must be connected to the terminal which is marked with N. The wire which is coloured brown must be connected to the terminal which is marked with L.

WARNING: Never connect live or neutral wires to the earth terminal of the plug. Only fit an approved 13A BS1363/A plug and the correct rated fuse.

NOTE: If a moulded plug is fitted and has to be removed take great care in disposing of the plug and severed cable, it must be destroyed to prevent engaging into a socket.



DECLARATION OF CONFORMITY

We,
Positec Power Tools (Europe)Ltd
PO Box 6242, Newbury, RG14 9LT, UK

Declare that the product,
Description

WORX Sonicrafter®

Type **WX685(6-designation of machinery,
representative of Sonicrafter)**

Function **Sanding, sawing, rasping,
scraping, polishing**

Complies with the following directives,

2006/42/EC

2011/65/EU

2014/30/EU

Standards conform to

EN 60745-1

EN 60745-2-4

EN 55014-1

EN 55014-2

EN 61000-3-2

EN 61000-3-3

The person authorized to compile the technical file,

Name: Russell Nicholson

**Address: Positec Power Tools (Europe)
Ltd, PO Box 6242, Newbury, RG14 9LT,
UK**



Suzhou 2016/03/28

Allen Ding

Deputy Chief Engineer, Testing & Certification



www.worx.com

Copyright © 2016, Positec. All Rights Reserved.
AR01229700