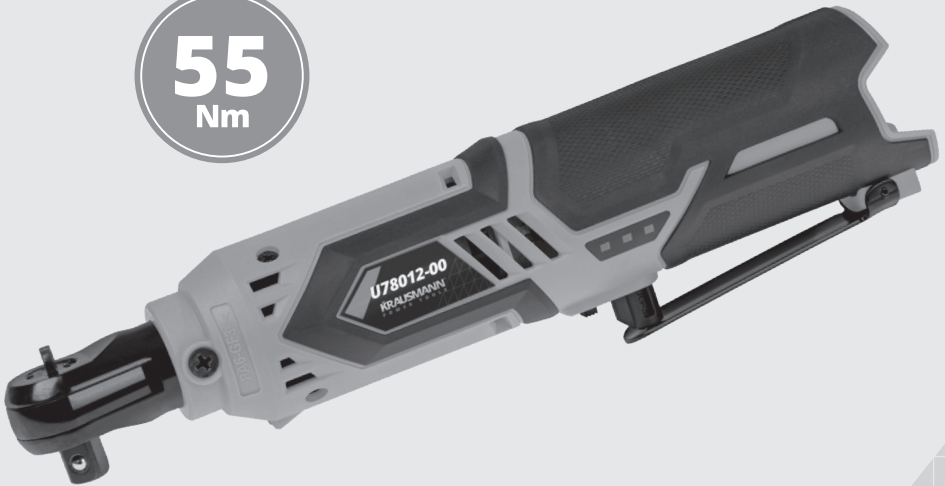


U78012-00

CORDLESS RATCHET WRENCH

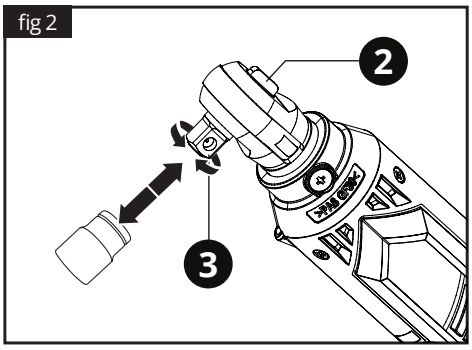
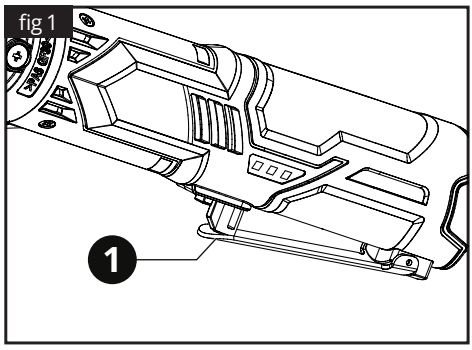
ΚΑΣΤΑΝΙΑ ΜΙΝΙ ΕΠΑΝΑΦ/ΜΕΝΗ

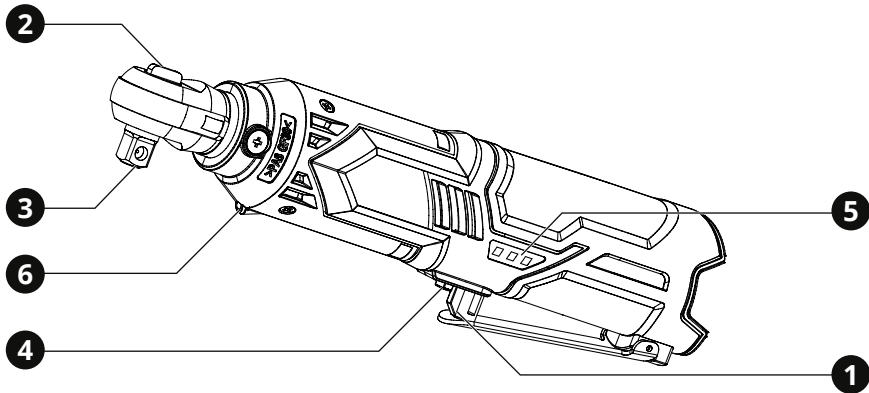
55
Nm



Operation manual
Εγχειρίδιο χρήσης

EN | GR





1. Overview

Tool description

- | | |
|---------------------------------------|---|
| 1 ON / OFF switch | 4 ON / OFF lock switch |
| 2 Left / right rotation switch | 5 Battery capacity indicator LED |
| 3 3/8" Socket holder | 6 Working LED light |

2. General safety regulations

⚠ WARNING:

Disconnect the plug from the power source before making any assembly, adjustments or changing accessories. Such preventative safety measures reduce the risk of starting the tool accidentally.

Read carefully and understand all instructions before using the tool.

When using power tools, the following instructions must be followed to prevent hazards such as electric shock, fire and/or serious injury.

Work area safety

- ▶ Keep work area clean and well lit. Cluttered benches and dark areas invite accidents.
- ▶ Do not operate power tools in explosive atmospheres, such as in the presence of flammable liquids, gases or dust. Power tools create sparks which may ignite the dust or fumes.
- ▶ Keep children and bystanders away while operating a power tool. Distractions can cause you to lose control.

Electrical safety

- ▶ Power tool plugs must match the outlet. Never modify the plug in any way. Do not use any adapter plugs with earthed (grounded) power tools. Unmodified plugs and matching outlets will reduce the risk of electric shock.
- ▶ Avoid body contact with earthed or grounded surfaces such as pipes, radiators, ranges and refrigerators. There is an increased risk of electric shock if your body is earthed or grounded.
- ▶ Do not expose power tools to rain or wet conditions. Water entering a power tool will increase the risk of electric shock.
- ▶ Do not abuse the cord. Never use the cord for carrying, pulling or unplugging the power tool. Keep cord away from heat, oil, sharp edges or moving parts. Damaged or entangled cords increase the risk of electric shock.
- ▶ When operating a power tool outdoors, use

an extension cord suitable for outdoor use. Use of a cord for outdoor use reduces the risk of electric shock.

Personal safety

- ▶ Stay alert, watch what you are doing and use common sense when operating a power tool. Do not use a power tool while you are tired or under the influence of drugs, alcohol or medication. A moment of distraction while operating power tools may result in serious personal injury.
- ▶ Use safety equipment. Always wear eye protection. Safety equipment such as dust mask, non-skid safety shoes, hard hat, or hearing protection used for appropriate conditions will reduce personal injuries.
- ▶ Avoid accidental starting. Ensure the switch is in the off-position before plugging in. Carrying power tools with your finger on the switch or plugging in power tools that have the switch on invites accidents.
- ▶ Remove any adjusting key or wrench before turning the power tool ON. A wrench or a key left attached to a rotating part of the power tool may result in personal injury.
- ▶ Do not overreach. Keep proper footing and balance at all times. This enables better control of the power tool in unexpected situations.
- ▶ Dress properly. Do not wear loose clothing or jewellery. Keep your hair, clothing and gloves away from moving parts. Loose clothes, jewellery or long hair can be caught in moving parts.
- ▶ If devices are provided for the connection of dust extraction and collection facilities, ensure these are connected and properly used. Use of these devices can reduce dust related hazards.

Power tool use and care

- ▶ Do not force the power tool. Use the correct power tool for your application. The correct power tool will do the job better and safer for the purpose for which it was designed.
- ▶ Do not use the power tool if the switch does not turn it ON and OFF. Any power tool that cannot be controlled with the switch is dangerous and must be repaired.

- ▶ Disconnect the plug from the power source before making any adjustments, changing accessories or storing power tools. Such preventative safety measures reduce the risk of starting the power tool accidentally.
 - ▶ Store idle power tools out of the reach of children and do not allow persons unfamiliar with the power tool or these instructions to operate the power tool. Power tools are dangerous in the hands of untrained users.
 - ▶ Maintain power tools, check for misalignment or binding of moving parts, breakage of parts and any other condition that may affect the power tools' operation. If damaged, have the power tool repaired before use. Many accidents are caused by poorly maintained power tools.
 - ▶ Keep cutting tools sharp and clean. Properly maintained cutting tools with sharp cutting edges are less likely to bind and are easier to control.
 - ▶ Use the power tool, accessories and tool bits etc., in accordance with these instructions and in the manner intended for the particular type of power tool, taking into account the working conditions and the work to be performed. Use of the power tool for operations different from intended could result in a hazardous situation.
- ▶ medical help. Liquid ejected from the battery may cause irritation or burns.
 - ▶ Before using battery charger, read all instructions and cautionary markings on battery charger, battery pack, and product using battery.
 - ▶ Cleaning and user maintenance shall not be made by children without supervision.
 - ▶ If the supply cord is damaged, it must be replaced by the manufacturer, its service agent or a similarly qualified person in order to avoid a hazard.
 - ▶ Do not disassemble charger or operate the charger if it has received a sharp blow, been dropped or otherwise damaged in any way. Incorrect reassembly may result in a risk of electric shock, electrocution or fire.
 - ▶ Do not recharge battery in damp or wet environment. Do not expose charger to rain or snow. If battery case is cracked or otherwise damaged, do not insert into charger. Battery short or fire may result.
 - ▶ Make sure that cord is located so that it will not be stepped on, tripped over, or otherwise subjected to damage or stress.
 - ▶ Do not use an extension cord unless it is absolutely necessary. Use of improper extension cord could result in risk of fire, electric shock.

Battery use and care

- ▶ Recharge only with the charger specified by the manufacturer. A charger that is suitable for one type of battery pack may create a risk of fire when used with another battery pack.
 - ▶ Use power tools only with specifically designated battery packs. Use of any other packs may create a risk of injury and fire.
 - ▶ When battery pack is not in use, keep it away from other metal objects, like paper clips, coins, keys, nails, screws or other small metal objects, that can make a connection from one terminal to another. Shorting the battery may cause irritation or burns.
 - ▶ Under abusive conditions, liquid may be ejected from the battery; avoid contact.
 - ▶ If contact accidentally occurs, flush with water. If liquid contacts eyes, seek additional
- ▶ Disconnect the charger from the outlet before attempting any cleaning. This will reduce the risk of electric shock. Removing the battery pack will not reduce this risk.
 - ▶ The charger is designed to operate on standard household electrical power (220-240 volts, 50-60 Hz AC only). Do not attempt to use it on any other voltage.
 - ▶ This power unit is intended to be correctly orientated in a vertical or floor mount position.
 - ▶ Contents of opened battery cells may cause respiratory irritation. Provide fresh air. If symptoms persist, seek medical attention.
 - ▶ Burn hazard. Battery liquid may be flammable if exposed to spark or flame.
 - ▶ Do not splash or immerse in water or other liquids. This may cause premature cell

failure.

- ▶ Do not place batteries in a tool box or pocket with nails, screws, keys, etc. Fire or injury may result.



The KRAUSMANN® UN1 POWER 12V battery can be used with all 12V power tools bearing this marking.

Service

- ▶ Have your power tool serviced by a qualified repair person using only genuine replacement parts. This will ensure that the safety of the power tool is maintained.
- ▶ Follow instruction for lubricating and changing accessories.
- ▶ Keep handles dry, clean and free from oil and grease.

3. Specific safety regulations

DO NOT let comfort or familiarity with product (gained from repeated use) replace strict adherence to electric power tools' safety rules. If you use this tool unsafely or incorrectly, you can suffer serious personal injury.

- 1 Wear ear protectors. Exposure to noise can cause hearing loss.
- 2 Use auxiliary handles supplied with the tool. Loss of control can cause personal injury.
- 3 Hold power tools by insulated gripping surfaces when performing an operation where the cutting tool may contact hidden wiring or its own cord. Contact with a "live" wire will make exposed metal parts of the tool "live" and shock the operator.
- 4 Wear a hard hat (safety helmet), safety glasses and/or face shield. Ordinary eye or sun glasses are NOT safety glasses. It is also highly recommended that you wear a dust mask and thickly padded gloves.
- 5 Be sure the bit is secured in place before operation.
- 6 Under normal operation, the tool is designed to produce vibration. The screws can come loose easily, causing a breakdown or

accident. Check tightness of screws carefully before operation.

- 7 In cold weather or when the tool has not been used for a long time, let the tool warm up for a while by operating it under no load. This will loosen up the lubrication.
- 8 Always be sure you have a firm footing. Be sure no one is below when using the tool in high locations.
- 9 Hold the tool firmly with both hands.
- 10 Keep hands away from moving parts.
- 11 Do not leave the tool running. Operate the tool only when hand-held.
- 12 Do not point the tool at any one in the area when operating. Parts could fly out and injure someone seriously.
- 13 Do not touch parts close to the bit immediately after operation; they may be extremely hot and could burn your skin.
- 14 Some material contains chemicals which may be toxic. Take caution to prevent dust inhalation and skin contact. Follow material supplier safety data.

Additional safety regulations for cordless ratchet wrench

- Before replacing the attachments, disconnect the device from the power source.
- Take a break when you feel vibration-related discomfort.
- Hold the device firmly to reduce the vibration level.
- If the vibration or noise is excessive, or the device emits unusual noise, return the device for servicing.
- The device produces noise, which may cause hearing impairment. You can avoid such injury by wearing ear protectors and take a break when you feel noise-related discomfort.
- Never wrap the device in cloth or other material to suppress noise. Such covering will hinder proper ventilation of the device. In this situation, heat generated by the device can result in fire or cause burns.

SAVE THESE INSTRUCTIONS

⚠ WARNING:

Misuse or failure to follow the safety rules stated in this instruction manual may cause serious personal injury.

4. Functional description and specifications

Intended use

The device is designed for quickly tightening and loosening nuts, bolts and other fasteners. Not intended to be used in place of a torque wrench or impact wrench, this tool will not break loose seized nuts. Following these instructions will ensure safe installation and operation of the device.

Charging the battery

Place the battery pack and charger on a flat non-flammable surface and away from flammable material when re-charging the battery pack.

- Insert the plug on the charging unit into a power socket and turn the power on if required.
- Insert the battery with the charging output interface to the charging port. The charging time depends on the capacity of the battery and the type of the charger.

⚠ WARNING:

When battery charge runs out after continuous use or exposure to direct sunlight or heat, allow time for the tool to cool down before re-charging to achieve the full charge.

Removing or inserting the battery pack

Always switch off the tool before insertion or removal of the battery pack. To remove the battery pack, withdraw it from the tool while pressing the release button. To insert the battery pack, slide the pack into the body of the tool. Always insert it all the way until it locks in place with a little click. If not, it may accidentally fall off the tool, causing injury to you or someone around you. Do not use force when inserting the battery pack. If the pack does not slide easily, it is not being inserted correctly.

Battery capacity indicator

The three lights **5** on the side of the tool body (red, orange, green) indicate the battery capacity status.

- **Red:** 0% - 20%
- **Orange:** 20% - 60%
- **Green:** 60% - 100%.

Tool	U78012-00
Power supply	12 V
No load speed	0-230 rpm
Max. Torque	55 Nm
Socket holder	3/8" square
Tool weight	650 gr

Using the tool

Switching ON and OFF

To switch the tool on, press and hold the ON / OFF switch **1**. To turn the tool off, release the ON / OFF switch **1** (fig 1). The ON / OFF switch controls the variable speed, depending on the amount of pressure you apply to the ON / OFF switch. Light pressure on the trigger results in a low rotational speed. Further pressure on the switch results in an increase in speed.

ON / OFF lock switch

To lock the ON / OFF switch **1**, slide the lock switch **4** to the locked position. To unlock the ON / OFF switch, slide the lock switch to the unlocked position. The ON / OFF switch will not work when the lock switch is in the locked position.

Always lock the switch or remove the battery before performing maintenance, changing accessories, storing the tool and any time the tool is not in use.

Working LED light

The working LED light **6** can be used in poor lighting conditions to illuminate the work area. The working LED light will light up as soon as you press the ON / OFF switch **1**.

Installing and removing a socket

⚠ WARNING:

Always turn the tool off and remove the battery from machine before doing any work on the machine.

To install a socket, align the socket holder **3** with the socket receiver and press on until locked securely in place. To remove a socket, pull the socket

off while twisting back and forth to dislodge (fig2). When removing a socket or bits from the tool, avoid contact with skin and use proper protective gloves when grasping a socket. Accessories may be hot after prolonged use. Apply the power tool to the screw/nut only when it is switched off. The torque depends on the impact duration. The maximum achieved torque results from the sum of all individual torques achieved through impact. The longer the tool is engaged the higher the accumulated torque value. Maximum torque is achieved in about 6-10 seconds. The actual achieved tightening torque should always be checked with a torque wrench.

Left / right motion direction

The rotation direction can be changed using the left / right rotation switch **2** (fig 2).

- To change the direction of rotation, stop the machine and turn the left / right rotation switch **2** in the desired direction (fig 2).
- Before beginning to work, check that the left / right rotation switch **2** is in the desired position in order to avoid potential damage to the tool or to the battery powered drill.

⚠ WARNING:

Never change the direction of rotation when the chuck is rotating. Wait until it has stopped.

5. Maintenance

Correct and regular cleaning will improve the safety and extend the lifespan of the device.

For safe and proper working, always keep the tool and ventilation slots clean.

The tool may be cleaned most effectively with compressed dry air or with a soft cloth moistened with soapy water. **Always wear safety goggles when cleaning tools with compressed air.**

Certain cleaning agents and solvents damage plastic parts. Some of these are: gasoline, carbon tetrachloride, chlorinated cleaning solvents, ammonia and household detergents that contain ammonia.

The brushes and commutator in your tool have been engineered for many hours of dependable service. To maintain peak efficiency of the motor, we recommend every two to six months the brushes be examined.

Store the tool, operating instructions and where necessary the accessories in the original packaging. In this way you will always have all the information and parts ready to hand.

⚠ WARNING:

Turn the device off, disconnect it from the mains and wait until it cools down before cleaning or maintenance to avoid electric shock or burn.



Wear ear defenders



Wear safety goggles



Wear a dust mask

6. Warranty

This tool has been checked by the manufacturer. From the date of purchase by the final consumer, a two year warranty for **amateur use** covers any faulty material and manufacturing. The receipt or invoice of purchase needs to be displayed in case of a repair that is covered by the warranty. For possible faults during the warranty period, you should address your issue to the retail shop from which the purchase was made.

Terms of warranty

The warranty is valid only when:

- The tool has been used properly and for the purpose for which it was purchased.
- The tool presents a problem that is due to faulty material and manufacturing.
- Incapability of the tool to perform according to the technical specs provided.

Damages are not covered by the warranty that are due to causes such as:

- Wear due to improper use.
- Partial or total disassembly. The tool's shell must be disassembled only by personnel authorised by the official distributor.
- Damage due to overloading.
- Usage of incorrect or incompatible accessory.

- Bad maintenance from the operator or any other third party.
- Wear that was induced by external factors or rogue particles (dust, debris etc.)
- Wear due to non compliance with the instructions in this manual.

If, during the warranty period, there is a fault that can not be repaired from the authorised service department, the tool will be replaced without any extra cost.

7. Repair / Servicing

In case there is a need for a repair after the warranty period has expired, we will provide the best possible attention to repair the tool successfully.

8. Disposal



Do not dispose of electrical machines as unsorted municipal waste, use separate collection facilities.

Contact your local government collection systems for information regarding the collection systems available.

If electrical machines are disposed of in landfills or dumps, hazardous substances can leak into the groundwater and get into the food chain, damaging your health and well-being. When replacing old machines with new ones, the retailer will be happy to take back your old machine for disposal.

9. Declaration of Conformity

Authorized Representative

PAPADEAS S.A.

4-6 Iroon 1912 St, 13671, Acharne, Greece

Herewith declares that:

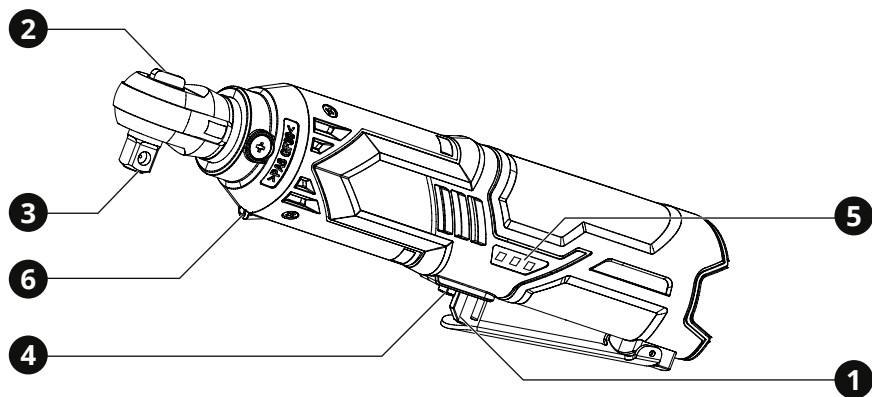
The **Cordless Ratchet Wrench** with **CODE: U78012-00** and distinctive title: **RW18-1120** under the brand **KRAUSMANN** (Description: Cordless Ratchet Wrench, 12V, 230V~50Hz, max torque: 55Nm, no-load speed: 0-230, drive size: 3/8", power display LED light, in color box packaging), is designed in conformity with provision of the Directives 2006/42/EC, 2014/30/EU and the following manufac-

turing standards: EN60745-1:2009+A11:2010, EN60745-2-2:2010, AFPSGS2014:01PAK, EN55014-1:2006+A1:2009+A2:2011, EN55014-2:2015.

Year in which "CE" marking was affixed: 2020
Date: March 26th, 2020



** Accessories and contents may change from the production factory without any warnings, in that case the company bears no responsibility.*

ΕΛΛΗΝΙΚΑ | GR**1. Επισκόπηση****Περιγραφή Εργαλείου**

- | | |
|---|--|
| 1 Διακόπτης ON / OFF | 4 Κλείδωμα διακόπτη ON / OFF |
| 2 Διακόπτης περιστροφής δεξιά / αριστερά | 5 LED ένδειξη χωρητικότητας μπαταρίας |
| 3 3/8" Υποδοχή για καρδάκι | 6 Φως LED εργασίας |

2. Γενικές οδηγίες ασφαλείας

⚠ ΠΡΟΣΟΧΗ:

Αποσυνδέστε το φως από την πρίζα πριν προχωρήσετε σε συναρμολόγηση, παραμετροποιήσεις ή αλλαγή αξεσουάρ.

Τέτοια προληπτικά μέτρα ασφάλειας μειώνουν τον κίνδυνο ακούσιας εκκίνησης του εργαλείου.

Διαβάστε προσεκτικά και τηρήστε αυτές τις οδηγίες πριν τη χρήση του εργαλείου.

Όταν χρησιμοποιείτε ηλεκτρικά εργαλεία, οι ακόλουθες οδηγίες πρέπει να τηρούνται για τη πρόληψη κινδύνου ηλεκτροπληξίας, προσωπικού τραυματισμού και πυρκαγιάς.

Ασφάλεια χώρου εργασίας

- ▶ Διατηρείτε το χώρο εργασίας καθαρό και καλά φωτισμένο. Οι βρώμικοι χώροι και οι σκοτεινοί πάγκοι εργασίας κρύβουν κινδύνους.
- ▶ Μη λειτουργείτε ηλεκτρικά εργαλεία στη βροχή ή σε υγρά μέρη. Μη χρησιμοποιείτε τα ηλεκτρικά εργαλεία κοντά σε εύφλεκτα υγρά ή αέρια. Τα ηλεκτρικά εργαλεία δημιουργούν σπινθήρες που μπορεί να αναφλέξουν τη σκόνη ή τις αναθυμιάσεις.
- ▶ Κρατήστε τους επισκέπτες και τα παιδιά μακριά ενώ λειτουργείτε ένα ηλεκτρικό εργαλείο. Κάθε απόσπαση της προσοχής σας μπορεί να προκαλέσει απώλεια ελέγχου του εργαλείου και να προκαλέσει ατύχημα.

Ασφάλεια ηλεκτρισμού

- ▶ Τα φως των ηλεκτρικών εργαλείων πρέπει να ταιριάζουν με τις πρίζες. Ποτέ μην τροποποιείτε την πρίζα με οποιοδήποτε τρόπο. Μη χρησιμοποιείτε μετατροπείς πρίζας με γειωμένα ηλεκτρικά εργαλεία. Οι πρίζες που δεν έχουν τροποποιηθεί και που ταιριάζουν στο φως θα μειώσουν τον κίνδυνο ηλεκτροπληξίας.
- ▶ Αποφεύγετε σωματική επαφή με γειωμένες επιφάνειες όπως σωλήνες, καλωριφέρ, ψυγεία. Υπάρχει αυξημένος κίνδυνος ηλεκτροπληξίας αν το σώμα σας είναι γειωμένο.

- ▶ Μην εκθέτετε ηλεκτρικά εργαλεία σε συνθήκες βροχής ή σε υγρά. Το νερό που εισέρχεται σε ένα ηλεκτρικό εργαλείο θα αυξήσει τον κίνδυνο ηλεκτροπληξίας.
- ▶ Μην κακομεταχειρίζεστε το καλώδιο. Ποτέ μη χρησιμοποιείτε το καλώδιο για να μεταφέρετε το εργαλείο ή για να το αποσυνδέσετε από την πρίζα τραβώντας το. Φυλάξτε το καλώδιο μακριά από τη ζέστη, το λάδι, κοφτερές επιφάνειες και κινούμενα μέρη. Τα φθαρμένα ή μπερδεμένα καλώδια αυξάνουν τον κίνδυνο ηλεκτροπληξίας.
- ▶ Όταν χρησιμοποιείτε το εργαλείο σε εξωτερικούς χώρους, να χρησιμοποιείτε μόνο προεκτάσεις καλωδίων που είναι κατάλληλες για αντίστοιχη χρήση. Η χρήση ενός τέτοιου καλωδίου μειώνει τον κίνδυνο ηλεκτροπληξίας.

Προσωπική ασφάλεια

- ▶ Να είστε σε επαγρύπνηση, να προσέχετε τι κάνετε και να χρησιμοποιείτε τη κοινή λογική όταν χρησιμοποιείτε ένα ηλεκτρικό εργαλείο. Μη χρησιμοποιείτε το εργαλείο όταν είστε κουρασμένος ή υπό την επήρεια ναρκωτικών, αλκοόλ ή φαρμακευτικής αγωγής. Μια στιγμή απροσεξίας μπορεί να προκαλέσει σοβαρό προσωπικό τραυματισμό.
- ▶ Χρησιμοποιείστε εξοπλισμό ασφαλείας. Πάντα να φοράτε προστασία για τα μάτια σας. Η χρήση κατάλληλου εξοπλισμού ασφαλείας για τις εκάστοτε συνθήκες εργασίας όπως μάσκα σκόνης, αντιολισθητικά παπούτσια ασφαλείας, κράνος προστασίας ή ωτοασπίδες θα μειώσει τον κίνδυνο προσωπικού τραυματισμού.
- ▶ Αποφύγετε ακούσια εκκίνηση του εργαλείου. Βεβαιωθείτε ότι ο διακόπτης είναι στη θέση OFF πριν το συνδέσετε στην πρίζα. Η μεταφορά εργαλείων που είναι συνδεδεμένα στην πρίζα με το δάκτυλο στο διακόπτη μπορεί να προκαλέσει ατύχημα.
- ▶ Αφαιρέστε τα εργαλεία και κλειδιά ρύθμισης πριν εκκινήσετε το εργαλείο. Αν έχει ξεχαστεί ένα τέτοιο εξάρτημα σε ένα περιστρεφόμενο μέρος του εργαλείου, μπορεί να προκαλέσει προσωπικό τραυματισμό.

- ▶ Μην υπερβάλλετε τεντώνοντας τα σωματικά σας μέρη. Διατηρείστε τη σωστή θέση των ποδιών σας και την ισορροπία σας ανά πάσα στιγμή. Έτσι θα έχετε καλύτερο έλεγχο του ηλεκτρικού εργαλείου σε αναπάντεχες καταστάσεις.
- ▶ Ντυθείτε κατάλληλα. Μη φοράτε χαλαρά ρούχα ή κοσμήματα. Κρατείστε τα μαλλιά, ρούχα και γάντια σας μακριά από κινούμενα μέρη. Τα χαλαρά ρούχα, κοσμήματα ή μακριά μαλλιά ενδέχεται να πιαστούν σε κινούμενα μέρη.
- ▶ Αν παρέχονται εξαρτήματα για εξαγωγή και περισυλλογή σκόνης, βεβαιωθείτε ότι είναι συνδεδεμένα και χρησιμοποιούνται σωστά. Η χρήση τέτοιων εξαρτημάτων μπορεί να μειώσουν κινδύνους που σχετίζονται με τη σκόνη.

Χρήση και φροντίδα του ηλεκτρικού εργαλείου

- ▶ Μη ζορίζετε το ηλεκτρικό εργαλείο. Χρησιμοποιείστε το κατάλληλο ηλεκτρικό εργαλείο για την κάθε ανάγκη. Το κατάλληλο εργαλείο θα φέρει εις πέρας την εργασία με μεγαλύτερη επιτυχία και ασφάλεια, όταν χρησιμοποιείται για το σκοπό που έχει κατασκευαστεί.
- ▶ Μη χρησιμοποιείτε το ηλεκτρικό εργαλείο αν ο διακόπτης δε γυρνάει στη θέση ON και OFF. Οποιοδήποτε ηλεκτρικό εργαλείο που δεν μπορεί να λειτουργήσει με το διακόπτη είναι επικίνδυνο και πρέπει να επισκευαστεί.
- ▶ Να βγάζετε το φως από την πρίζα πριν προχωρήσετε σε αλλαγές των αξεσουάρ ή σε αποθήκευση. Τέτοια προληπτικά μέτρα ασφαλείας μειώνουν τον κίνδυνο ακούσιας εκκίνησης του εργαλείου.
- ▶ Αποθηκεύστε τα εκτός λειτουργίας ηλεκτρικά εργαλεία σε χώρο που δεν είναι προσιτός σε παιδιά και μην επιτρέπετε να τα λειτουργήσουν άτομα που δεν έχουν την κατάλληλη γνώση ή δεν έχουν διαβάσει το εγχειρίδιο χρήσης. Τα ηλεκτρικά εργαλεία είναι επικίνδυνα στα χέρια μη εκπαιδευμένων ατόμων.
- ▶ Συντηρείστε τα ηλεκτρικά εργαλεία, ελέγξτε την ευθυγράμμιση ή εμπλοκή των κινούμενων τμημάτων, τυχόν ρωγμές

τμημάτων, σύνδεση και κάθε άλλη συνθήκη που μπορεί να το καταστήσει επικίνδυνο και να επηρεάσει τη λειτουργία του. Αν έχει υποστεί ζημιά, πρέπει να επισκευαστεί κατάλληλα από ένα εξουσιοδοτημένο σέρβις πριν χρησιμοποιηθεί. Πολλά ατυχήματα μπορούν να συμβούν από ηλεκτρικά εργαλεία που δεν έχουν συντηρηθεί κατάλληλα.

- ▶ Διατηρείστε τα εργαλεία κοφτερά και καθαρά. Τα εργαλεία κοπής που είναι σωστά διατηρημένα και έχουν κοφτερές άκρες είναι λιγότερο πιθανό να χαλάσουν και είναι πιο εύκολα στον έλεγχο.
- ▶ Χρησιμοποιείτε το ηλεκτρικό εργαλείο, τα αξεσουάρ, τα εξαρτήματα κ.λπ. σύμφωνα με αυτές τις οδηγίες και με τον κατάλληλο τρόπο για το συγκεκριμένο τύπο του ηλεκτρικού εργαλείου, λαμβάνοντας υπόψη τις συνθήκες και την εργασία που πρέπει να πραγματοποιηθεί. Η χρήση του εργαλείου για σκοπούς διαφορετικούς από αυτούς για τους οποίους προορίζεται μπορεί να προκαλέσουν μια επικίνδυνη κατάσταση.

Χρήση και φροντίδα της μπαταρίας

- ▶ Επαναφορτίστε μόνο με τον φορτιστή που καθορίζεται από τον κατασκευαστή. Ένας φορτιστής που είναι κατάλληλος για έναν τύπο μπαταρίας μπορεί να δημιουργήσει κίνδυνο φωτιάς όταν χρησιμοποιείται με άλλη μπαταρία.
- ▶ Χρησιμοποιείτε ηλεκτρικά εργαλεία μόνο με ειδικές μπαταρίες. Η χρήση οποιωνδήποτε άλλων μπαταριών μπορεί να δημιουργήσει κίνδυνο τραυματισμού και πυρκαγιάς.
- ▶ Όταν η μπαταρία δεν χρησιμοποιείται, κρατήστε την μακριά από άλλα μεταλλικά αντικείμενα, όπως συνδετήρες, νομίσματα, κλειδιά, καρφιά, βίδες ή άλλα μικρά μεταλλικά αντικείμενα, τα οποία μπορούν να συνδέσουν το ένα τερματικό με το άλλο. Το βραχυκύκλωμα της μπαταρίας μπορεί να προκαλέσει ερεθισμό ή εγκαύματα.
- ▶ Σε καταχρηστικές συνθήκες, μπορεί να εκτοξευθεί υγρό από την μπαταρία. Αποφύγετε την επαφή. Σε περίπτωση τυχαίας επαφής, ξεπλύνετε με νερό. Εάν το υγρό έρθει σε επαφή με τα μάτια, ζητήστε

επιπλέον ιατρική βοήθεια. Το υγρό που εξέρχεται από την μπαταρία μπορεί να προκαλέσει ερεθισμό ή εγκαύματα.

- ▶ Πριν χρησιμοποιήσετε το φορτιστή μπαταρίας, διαβάστε όλες τις οδηγίες και τις προειδοποιητικές ενδείξεις στο φορτιστή, τη μπαταρία και το προϊόν που θα χρησιμοποιήσετε την μπαταρία.
- ▶ Ο καθαρισμός και η χρήση της μπαταρίας δεν πρέπει να γίνεται από παιδιά χωρίς επίβλεψη.
- ▶ Εάν το καλώδιο τροφοδοσίας έχει υποστεί ζημιά, πρέπει να αντικατασταθεί από τον κατασκευαστή, τον αντιπρόσωπο σέρβις ή ένα εξειδικευμένο άτομο για να αποφευχθεί ο κίνδυνος.
- ▶ Μην αποσυναρμολογείτε και μην χρησιμοποιείτε το φορτιστή εάν έχει υποστεί έντονο χτύπημα, έχει πέσει ή έχει υποστεί άλλη ζημιά με οποιονδήποτε τρόπο. Η λανθασμένη συναρμολόγηση ενδέχεται να προκαλέσει ηλεκτροπληξία ή πυρκαγιά.
- ▶ Μην επαναφορτίζετε την μπαταρία σε υγρό ή βρεγμένο περιβάλλον. Μην εκθέτετε το φορτιστή σε βροχή ή χιόνι. Εάν η θήκη της μπαταρίας είναι ραγισμένη ή κατεστραμμένη, μην την τοποθετείτε στο φορτιστή. Μπορεί να προκληθεί πυρκαγιά.
- ▶ Βεβαιωθείτε ότι το καλώδιο είναι τοποθετημένο έτσι ώστε να μην πατηθεί ή υποστεί με άλλο τρόπο ζημιά.
- ▶ Μην χρησιμοποιείτε καλώδιο επέκτασης εκτός εάν είναι απολύτως απαραίτητο. Η χρήση ακατάλληλου καλωδίου επέκτασης μπορεί να οδηγήσει σε κίνδυνο πυρκαγιάς ή ηλεκτροπληξίας.
- ▶ Αποσυνδέστε το φορτιστή από την πρίζα πριν τον καθαρισμό. Αυτό θα μειώσει τον κίνδυνο ηλεκτροπληξίας. Η αφαίρεση της μπαταρίας δεν θα μειώσει αυτόν τον κίνδυνο.
- ▶ Ο φορτιστής έχει σχεδιαστεί για να λειτουργεί με τυπική ηλεκτρική ενέργεια οικιακής χρήσης (220-240 volt, μόνο 50-60 Hz AC). Μην επιχειρήσετε να το χρησιμοποιήσετε σε οποιαδήποτε άλλη τάση.
- ▶ Αυτή η μονάδα ισχύος προορίζεται να είναι

σωστά τοποθετημένη σε κατακόρυφη θέση.

- ▶ Το περιεχόμενο της μπαταρίας μπορεί να προκαλέσει ερεθισμό του αναπνευστικού συστήματος. Σε αυτή την περίπτωση να παρέχετε καθαρό αέρα. Εάν τα συμπτώματα επιμένουν, ζητήστε ιατρική βοήθεια.
- ▶ Κίνδυνος εγκαύματος. Το υγρό της μπαταρίας μπορεί να είναι εύφλεκτο εάν εκτίθεται σε σπίθες ή φλόγα.
- ▶ Μην την πιτσιλάτε ή ρίχνετε σε νερό ή άλλα υγρά. Αυτό μπορεί να προκαλέσει βλάβη.
- ▶ Μην τοποθετείτε τη μπαταρία σε εργαλειοθήκη ή τσέπη με καρφιά, βίδες, κλειδιά κ.λπ. Μπορεί να προκληθεί πυρκαγιά ή τραυματισμός.



Η μπαταρία KRAUSMANN® UN1 POWER 12V μπορεί να χρησιμοποιηθεί με όλα τα ηλεκτρικά εργαλεία 12V που φέρουν αυτή τη σήμανση.

Επισκευή / Σέρβις

- ▶ Δώστε το εργαλείο σας να επισκευαστεί από έναν εξειδικευμένο ειδικό, χρησιμοποιώντας μόνο γνήσια ανταλλακτικά. Αυτό θα εξασφαλίσει τη διατήρηση της ασφάλειας του ηλεκτρικού εργαλείου.
- ▶ Ακολουθείστε τις οδηγίες για τη λίπανση και την αλλαγή των αξεσουάρ.
- ▶ Διατηρείστε τις λαβές στεγνές, καθαρές και χωρίς την ύπαρξη λαδιού και γράσου.

3. Ειδικές οδηγίες ασφαλείας

ΜΗΝ αφήνετε την άνεση και την εξοικείωση με το προϊόν (που αποκτήθηκε από εκτεταμένη χρήση) να αντικαταστήσει την αυστηρή συμμόρφωση με τους κανόνες ασφαλείας των ηλεκτρικών εργαλείων. Αν χρησιμοποιείτε αυτό το εργαλείο με λάθος τρόπο και χωρίς ασφάλεια, μπορεί να υποστείτε κάποιο σοβαρό προσωπικό τραυματισμό.

1. Να φοράτε προστατευτικά αυτιών. Η έκθεση σε θόρυβο μπορεί να προκαλέσει απώλεια ακοής.

- 2 Να χρησιμοποιείτε το εργαλείο από τη λαβή του. Η απώλεια ελέγχου μπορεί να προκαλέσει προσωπικό τραυματισμό.
- 3 Όταν πραγματοποιείτε εργασίες όπου το εργαλείο μπορεί να έρθει σε επαφή με κρυφή καλωδίωση ή με το ίδιο το καλώδιο, κρατείστε το εργαλείο με μονωμένες επιφάνειες που παρέχουν τριβή. Η επαφή με ένα γυμνό καλώδιο που φέρει ρεύμα θα καταστήσει ηλεκτροφόρα τα εκτεθειμένα μεταλλικά μέρη του εργαλείου και θα προκαλέσει ηλεκτροπληξία στο χειριστή.
- 4 Να φοράτε κράνος προστασίας, γυαλιά προστασίας και / ή μάσκα προσώπου. Τα κανονικά γυαλιά ή γυαλιά ηλίου ΔΕΝ αποτελούν είδη ασφαλείας. Επίσης συνιστάται να φοράτε μάσκα σκόνης και χοντρά μονωμένα γάντια.
- 5 Βεβαιωθείτε ότι τα αξεσουάρ είναι ασφαλισμένα στη θέση τους πριν ξεκινήσετε τη λειτουργία του εργαλείου.
- 6 Υπό κανονικές συνθήκες, το εργαλείο είναι σχεδιασμένο να παράγει δονήσεις. Οι βίδες μπορούν εύκολα να χαλαρώσουν, προκαλώντας ζημιά ή ατύχημα. Να ελέγχετε προσεκτικά ότι οι βίδες είναι σφιγμένες πριν τη χρήση.
- 7 Σε κρύο καιρό ή όταν το εργαλείο δεν έχει χρησιμοποιηθεί για αρκετό καιρό, αφήστε το να ζεσταθεί για λίγο λειτουργώντας το σε συνθήκες μηδενικής πίεσης. Με αυτό τον τρόπο θα χαλαρώσει η λίπανση.
- 8 Πάντα να είστε σίγουροι ότι πατάτε γερά στα πόδια σας. Σιγουρευτείτε ότι δεν υπάρχει κάποιος από κάτω όταν χρησιμοποιείτε το εργαλείο σε υψηλές τοποθεσίες.
- 9 Κρατείστε το εργαλείο γερά και με τα δυο σας χέρια.
- 10 Κρατείστε τα χέρια σας μακριά από κινούμενα μέρη.
- 11 Μην αφήνετε το εργαλείο σε λειτουργία. Να το λειτουργείτε μόνο όταν το έχετε στα χέρια σας.
- 12 Μην σημαδεύετε το εργαλείο προς οποιονδήποτε στην περιοχή λειτουργίας. Κάποιο εξάρτημα ίσως αποκολληθεί με αποτέλεσμα να προκαλέσει σοβαρό τραυματισμό.

- 13 Μην αγγίζετε τα εξαρτήματα κοντά στα κινούμενα μέρη αμέσως μετά τη λειτουργία. Μπορεί τα μέρη του εργαλείου να είναι πολύ ζεστά και να προκαλέσουν εγκαύματα.
- 14 Κάποια υλικά περιέχουν χημικά που μπορεί να είναι τοξικά. Λάβετε μέτρα για να αποφύγετε εισπνοή σκόνης και επαφή με το δέρμα. Ακολουθείστε τις οδηγίες ασφαλείας του παρόχου των υλικών.

Πρόσθετες οδηγίες ασφαλείας ειδικά για επαναφορτιζόμενες κασάνιες

- Πριν αντικαταστήσετε κάποιο εξάρτημα, αποσυνδέστε το εργαλείο από την πηγή τροφοδοσίας.
- Κάντε ένα διάλειμμα όταν αισθάνεστε δυσφορία που σχετίζεται με τους κραδασμούς.
- Κρατήστε σταθερά το εργαλείο για να μειώσετε το επίπεδο κραδασμών.
- Εάν η δόνηση ή ο θόρυβος είναι υπερβολικός ή το εργαλείο εκπέμπει ασυνήθιστο θόρυβο, επιστρέψτε το εργαλείο για συντήρηση.
- Το εργαλείο παράγει θόρυβο, ο οποίος μπορεί να προκαλέσει προβλήματα ακοής. Μπορείτε να αποφύγετε τέτοιο τραυματισμό φορώντας προστατευτικά αυτιών και να κάνετε ένα διάλειμμα όταν αισθάνεστε δυσφορία που σχετίζεται με τον θόρυβο.
- Μην τυλίγετε ποτέ το εργαλείο σε ύφασμα ή άλλο υλικό για να μειώσετε το θόρυβο. Ένα τέτοιο κάλυμμα θα εμποδίσει τον κατάλληλο αερισμό του εργαλείου. Σε αυτήν την περίπτωση, η θερμότητα που παράγεται από το εργαλείο μπορεί να οδηγήσει σε πυρκαγιά ή να προκαλέσει εγκαύματα.

ΑΠΟΘΗΚΕΥΣΤΕ ΑΥΤΟ ΤΟ ΕΓΧΕΙΡΙΔΙΟ ΧΡΗΣΗΣ

ΠΡΟΣΟΧΗ:

Κατάχρηση ή μη τήρηση των οδηγιών ασφαλείας που αναγράφονται σε αυτό το εγχειρίδιο χρήσης μπορεί να προκαλέσουν σοβαρό προσωπικό τραυματισμό.

4. Περιγραφή λειτουργιών και προδιαγραφών

Προβλεπόμενη χρήση

Το εργαλείο έχει σχεδιαστεί για γρήγορο σφίξιμο και χαλάρωση παξιμαδιών, μπουλονιών και άλλων προϊόντων σύσφιξης. Δεν προορίζεται να χρησιμοποιηθεί αντί ενός δυναμόκλειδου ή μπουλονόκλειδου, αυτό το εργαλείο δεν θα ξεσφίξει κολλημένα παξιμάδια. Ακολουθώντας αυτές τις οδηγίες θα διασφαλιστεί η ασφαλή εγκατάσταση και λειτουργία του εργαλείου.

Φόρτιση της μπαταρίας

Τοποθετήστε τη μπαταρία και το φορτιστή σε επίπεδη μη εύπλαστη επιφάνεια και μακριά από εύφλεκτο υλικό κατά την επαναφόρτιση της.

- Τοποθετήστε το φις του φορτιστή σε μία πρίζα και ενεργοποιήστε το ρεύμα εάν απαιτείται.
- Τοποθετήστε την μπαταρία με τη διεπαφή εξόδου φόρτισης στη θύρα φόρτισης. Ο χρόνος φόρτισης εξαρτάται από την χωρητικότητα της μπαταρίας και τον τύπο του φορτιστή.

⚠ ΠΡΟΣΟΧΗ:

Όταν η μπαταρία εξαντλείται μετά από χρήση ή έκθεση σε άμεσο ηλιακό φως / θερμότητα, αφήστε το εργαλείο να κρυώσει πριν επαναλάβετε τη φόρτιση για να επιτευχθεί πλήρης φόρτιση.

Αφαίρεση ή εγκατάσταση της μπαταρίας

Απενεργοποιείτε πάντα το εργαλείο πριν από την εισαγωγή ή την αφαίρεση της μπαταρίας. Για να αφαιρέσετε την μπαταρία, αποσύρετέ την από το εργαλείο ενώ πατάτε το κουμπί απελευθέρωσης. Για να εισαγάγετε τη μπαταρία, σύρετε τη προς το σώμα του εργαλείου και σπρώξτε τη στη θέση της. Εισάγετέ τη εντελώς μέσα μέχρι να ασφαλίσει στη θέση της με ένα μικρό κλικ. Εάν όχι, μπορεί να πέσει κατά λάθος από το εργαλείο, προκαλώντας τραυματισμό σε εσάς ή σε κάποιον γύρω σας. Μην ασκείτε δύναμη κατά την εισαγωγή της μπαταρίας. Εάν η μπαταρία δεν γλιστρήσει εύκολα, δεν εισάγεται σωστά.

Ένδειξη χωρητικότητας μπαταρίας

Τα τρία λαμπάκια **5** στο πλάι του σώματος του εργαλείου (κόκκινο, πορτοκαλί, πράσινο) υποδεικνύουν την κατάσταση φόρτισης της μπαταρίας.

- **Κόκκινο:** 0% - 20%
- **Πορτοκαλί:** 20% - 60%
- **Πράσινο:** 60% - 100%.

Εργαλείο	U78012-00
Τάση λειτουργίας	12 V
Ταχύτητα χωρίς φορτίο	0-230 rpm
Μεγ. Ροπή	55 Nm
Υποδοχή για καρυδάκι	3/8" τετράγωνο
Βάρος	650 gr

Χρήση του εργαλείου

Ενεργοποίηση και απενεργοποίηση

Για να ενεργοποιήσετε το εργαλείο, πατήστε και κρατήστε πατημένο το διακόπτη ON / OFF **1**. Για να απενεργοποιήσετε το εργαλείο, αφήστε το διακόπτη ON / OFF **1** (fig 1). Ο διακόπτης ON / OFF ελέγχει τη μεταβλητή ταχύτητα, ανάλογα με τη δύναμη της πίεσης που βάζετε στον διακόπτη. Η ελαφριά πίεση έχει ως αποτέλεσμα χαμηλή ταχύτητα περιστροφής. Μία πιο έντονη πίεση στον διακόπτη οδηγεί σε αύξηση της ταχύτητας.

Κλειδωμα διακόπτη ON / OFF

Για να κλειδώσετε το διακόπτη ON / OFF **1**, σύρετε το διακόπτη κλειδώματος **4** στη θέση κλειδώματος. Για να ξεκλειδώσετε το διακόπτη ON / OFF, σύρετε το διακόπτη κλειδώματος στη θέση ξεκλειδώματος. Ο διακόπτης ON / OFF δεν λειτουργεί όταν ο διακόπτης κλειδώματος βρίσκεται στην κλειδωμένη θέση.

Πάντα να κλειδώνετε το διακόπτη ή να αφαιρείτε την μπαταρία πριν τη συντήρηση, την αλλαγή αξεσουάρ, την αποθήκευση του εργαλείου και όποτε το εργαλείο δεν χρησιμοποιείται.

Φως LED εργασίας

Το φως LED εργασίας **6** μπορεί να χρησιμοποιηθεί σε συνθήκες κακού φωτισμού για να φωτίζει την περιοχή εργασίας. Το φως LED εργασίας θα ανάψει μόλις πατήσετε το διακόπτη ON / OFF **1**.

Τοποθετώντας και αφαιρώντας ένα καρυδάκι

⚠ ΠΡΟΣΟΧΗ:

Να απενεργοποιείτε πάντα το εργαλείο και να αφαιρείτε την μπαταρία από το μηχάνημα πριν κάνετε οποιαδήποτε εργασία στο μηχάνημα!

Για να τοποθετήσετε ένα καρυδάκι, ευθυγραμμίστε το με την υποδοχή για το καρυδάκι **3** και πιέστε το μέχρι να ασφαλίσει στη θέση του. Για να το αφαιρέσετε, τραβήξτε το καρυδάκι ενώ περιστρέφετε μπρος-πίσω για να αποκολληθεί (fig 2). Κατά την αφαίρεση των καρυδακίων ή άλλων εξαρτημάτων από το εργαλείο, αποφύγετε την επαφή με το δέρμα και χρησιμοποιήστε κατάλληλα προστατευτικά γάντια όταν τα πιάνετε. Τα εξαρτήματα μπορεί να είναι ζεστά μετά από παρατεταμένη χρήση. Να τοποθετήτε τα καρυδάκια ή τα εξαρτήματα στο εργαλείο μόνο όταν είναι απενεργοποιημένο. Η ροπή εξαρτάται από τη διάρκεια κρούσης. Η μέγιστη επιτευχθείσα ροπή προκύπτει από το άθροισμα όλων των επιμέρους ροπών που επιτυγχάνονται μέσω κρούσης. Όσο περισσότερο λειτουργεί το εργαλείο τόσο υψηλότερη είναι η συσσωρευμένη τιμή ροπής. Η μέγιστη ροπή επιτυγχάνεται σε περίπου 6-10 δευτερόλεπτα. Η πραγματική επιτευχθείσα ροπή σύσφιξης πρέπει πάντα να ελέγχεται με ένα κλειδί ροπής.

Αριστερή / δεξιά κατεύθυνση κίνησης

Η κατεύθυνση περιστροφής μπορεί να αλλάξει χρησιμοποιώντας τον διακόπτη περιστροφής δεξιά / αριστερά **2** (fig 2).

- Για να αλλάξετε τη φορά περιστροφής, σταματήστε το εργαλείο και γυρίστε τον διακόπτη περιστροφής δεξιά / αριστερά **2** στην επιθυμητή θέση (fig 2).
- Πριν αρχίσετε να εργάζεστε, βεβαιωθείτε ότι ο διακόπτης περιστροφής δεξιά / αριστερά **2** βρίσκεται στην επιθυμητή θέση, για να αποφύγετε πιθανή ζημιά στο εργαλείο ή στο μηχάνημα.

⚠ ΠΡΟΣΟΧΗ:

Μην αλλάζετε ποτέ την κατεύθυνση περιστροφής όταν περιστρέφεται το τσοκ. Περιμένετε μέχρι να σταματήσει.

5. Συντήρηση

Ο σωστός και τακτικός καθαρισμός θα βελτιώσει την ασφάλεια και θα επεκτείνει τη διάρκεια ζωής του εργαλείου.

Για ασφαλή και σωστή εργασία, πάντα να κρατάτε καθαρές τις υποδοχές εξαιρισμού και το ίδιο το εργαλείο σε καλή κατάσταση.

Το εργαλείο μπορεί να καθαριστεί αποτελεσματικά με ξηρό συμπιεσμένο αέρα ή με ένα μαλακό πανί βρεγμένο με σαπουνόνερο.

Πάντα να φοράτε προστατευτικά ματιών όταν καθαρίζετε τα εργαλεία με συμπιεσμένο αέρα.

Ορισμένα καθαριστικά μέσα και διαλύτες μπορεί να προκαλέσουν βλάβη σε πλαστικά μέρη. Κάποια από αυτά είναι: βενζίνη,

τετραχλωράνθρακας, χλωριωμένοι διαλύτες καθαρισμού, αμμωνία και οικιακά απορρυπαντικά που περιέχουν αμμωνία.

Οι ψύκτρες (καρβονάκια) και ο διακόπτης στο εργαλείο σας έχουν σχεδιαστεί για πολλές ώρες αξιόπιστης λειτουργίας. Για να διατηρηθεί η μέγιστη απόδοση του κινητήρα, συνιστούμε κάθε δύο έως έξι μήνες να εξετάζονται οι ψύκτρες.

Αποθηκεύστε το εργαλείο, το εγχειρίδιο χρήσης και όπου είναι απαραίτητο τα αξεσουάρ στη γνήσια συσκευασία. Με αυτό τον τρόπο θα έχετε πάντα όλη την πληροφορία και τα διάφορα μέρη στη διάθεσή σας.

⚠ ΠΡΟΣΟΧΗ:

Απενεργοποιήστε το εργαλείο, αποσυνδέστε την από το ρεύμα και περιμένετε μέχρι να κρυώσει πριν από τον καθαρισμό ή τη συντήρηση για να αποφύγετε ηλεκτροπληξία ή εγκαύματα.



Να φοράτε προστατευτικά αυτιών



Να φοράτε προστατευτικά ματιών



Να φοράτε μάσκα για τη σκόνη

6. Εγγύηση

Αυτό το εργαλείο έχει ελεγχθεί από τον κατασκευαστή. Από την ημερομηνία αγοράς από τον τελικό καταναλωτή, η εγγύηση δύο ετών για **ερασιτεχνική χρήση** καλύπτει κάθε ελαττωματικό υλικό και κατασκευή. Η απόδειξη ή το τιμολόγιο αγοράς πρέπει να επιδεικνύεται σε περίπτωση επισκευής που καλύπτεται από την εγγύηση. Για πιθανές βλάβες κατά τη διάρκεια της περιόδου εγγύησης, θα πρέπει να απευθυνθείτε στο κατάστημα λιανικής πώλησης από το οποίο πραγματοποιήθηκε η αγορά.

Όροι εγγύησης

Η εγγύηση ισχύει μόνο όταν:

- Το εργαλείο έχει χρησιμοποιηθεί σωστά και για τον σκοπό για τον οποίο αγοράστηκε.
- Το εργαλείο παρουσιάζει ένα πρόβλημα που οφείλεται σε ελαττωματικό υλικό και κατασκευή.
- Το εργαλείο αδυναμεί να εκτελέσει εργασίες σύμφωνα με τις τεχνικές προδιαγραφές που παρέχονται.

Δεν καλύπτονται από την εγγύηση ζημιές που οφείλονται σε αιτίες όπως:

- Φθορά λόγω ακατάλληλης χρήσης.
- Μερική ή ολική αποσυναρμολόγηση. Η αποσυναρμολόγηση πρέπει να γίνεται μόνο από προσωπικό εξουσιοδοτημένο από τον επίσημο διανομέα.
- Ζημιές λόγω υπερφόρτωσης.
- Χρήση εσφαλμένου ή ασύμβατου εξαρτήματος.
- Κακή συντήρηση από τον χειριστή ή οποιοδήποτε άλλο τρίτο μέρος.
- Φθορά που προκλήθηκε από εξωτερικούς παράγοντες ή ξένα σωματίδια (σκόνη, μπάζα κ.λπ.)
- Φθορά λόγω μη συμμόρφωσης με τις οδηγίες αυτού του εγχειριδίου.

Εάν, κατά τη διάρκεια της περιόδου εγγύησης, υπάρχει ζημιά που δεν μπορεί να επισκευαστεί από το εξουσιοδοτημένο τμήμα σέρβις, το εργαλείο θα αντικατασταθεί χωρίς πρόσθετο κόστος.

7. Επισκευή / Σέρβις

Σε περίπτωση ανάγκης για επισκευή μετά τη λήξη της περιόδου εγγύησης, θα δώσουμε την καλύτερη δυνατή προσοχή για την επιτυχή επιδιόρθωση του εργαλείου.

8. Περιβάλλον



Μην απορρίπτετε τις ηλεκτρικές μηχανές ως αστικά απόβλητα χωρίς διαλογή, χρησιμοποιήστε χωριστές εγκαταστάσεις συλλογής.

Επικοινωνήστε με τα συστήματα συλλογής τοπικής κυβέρνησης που είναι διαθέσιμα. Εάν τα ηλεκτρικά μηχανήματα απορρίπτονται σε χώρους υγειονομικής ταφής ή χωματερές, επικίνδυνες ουσίες μπορεί να διαρρεύσουν στα υπόγεια ύδατα και να εισέλθουν στην τροφική αλυσίδα, βλάπτοντας την υγεία και την ευημερία.

Κατά την αντικατάσταση των παλαιών μηχανημάτων με καινούργια, ο έμπορος λιανικής θα χαρεί να πάρει πίσω το παλιό σας μηχανήμα για απόρριψη.

9. Δήλωση Συμμόρφωσης

Εξουσιοδοτημένος Αντιπρόσωπος

ΠΑΠΑΔΕΑΣ Α.Ε.

Ηρώων 1912 4-6, 13671, Αχαρναί, Ελλάδα

Δια της παρούσης δηλώνεται ότι:

Η **Καστάνια** με **ΚΩΔΙΚΟ: U78012-00** και διακριτικό τίτλο: **RW18-1120** υπό την επωνυμία **KRAUSMANN** (Περιγραφή: Καστάνια, 12V, 230V~50Hz, μέγιστη ροπή: 55 Nm, ταχύτητα χωρίς φορτίο: 0-230rpm, υποδοχή για καρυδάκι: 3/8", ενδεικτική λυχνία LED, σε έγχρωμο κουτί), είναι σχεδιασμένο σύμφωνα με τις διατάξεις των Οδηγιών 2006/42/EC, 2014/30/EU και σύμφωνα με τα ακόλουθα πρότυπα: EN60745-1:2009+A11:2010, EN60745-2-2:2010, AFPSGS2014:01PAK, EN55014-1:2006+A1:2009+A2:2011, EN55014-2:2015.

Έτος απόκτησης "CE" πιστοποίησης: 2020
Ημερομηνία: 26 Μαρτίου 2020



* Τα αξεσουάρ και τα περιεχόμενα ενδέχεται να αλλάξουν από το εργοστάσιο παραγωγής χωρίς προειδοποίηση, σε αυτή την περίπτωση η εταιρεία δεν φέρει καμία ευθύνη.

KRAUSMANN[®]
POWER TOOLS

RELIABLE PERFORMANCE

U78012-00

www.krausmann.gr

