

# **U63012-00**

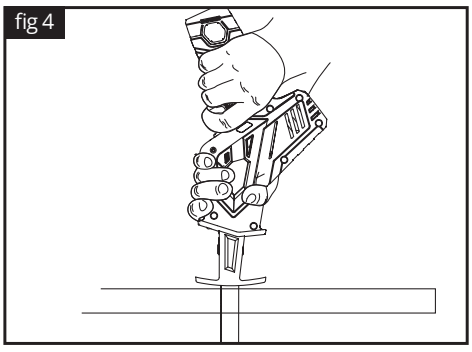
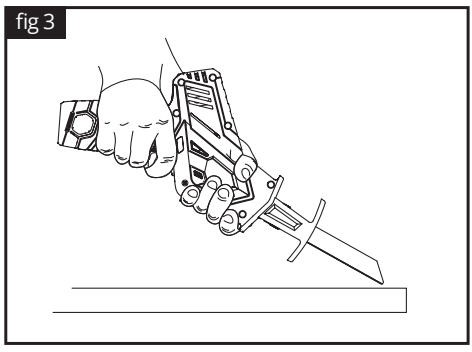
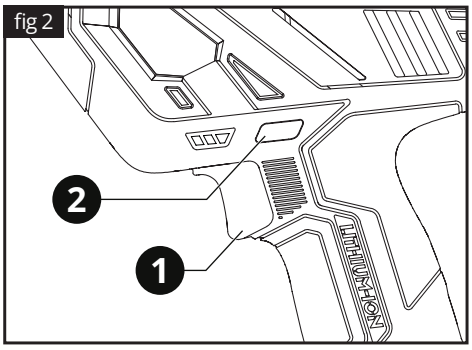
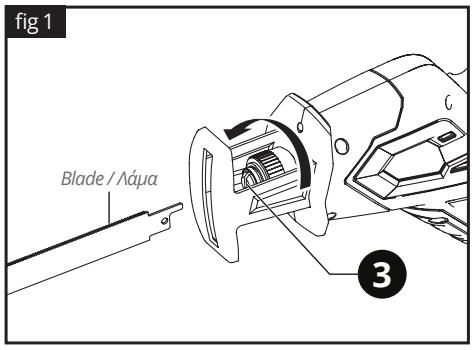
## **CORDLESS RECIPROCATING SAW MINI**

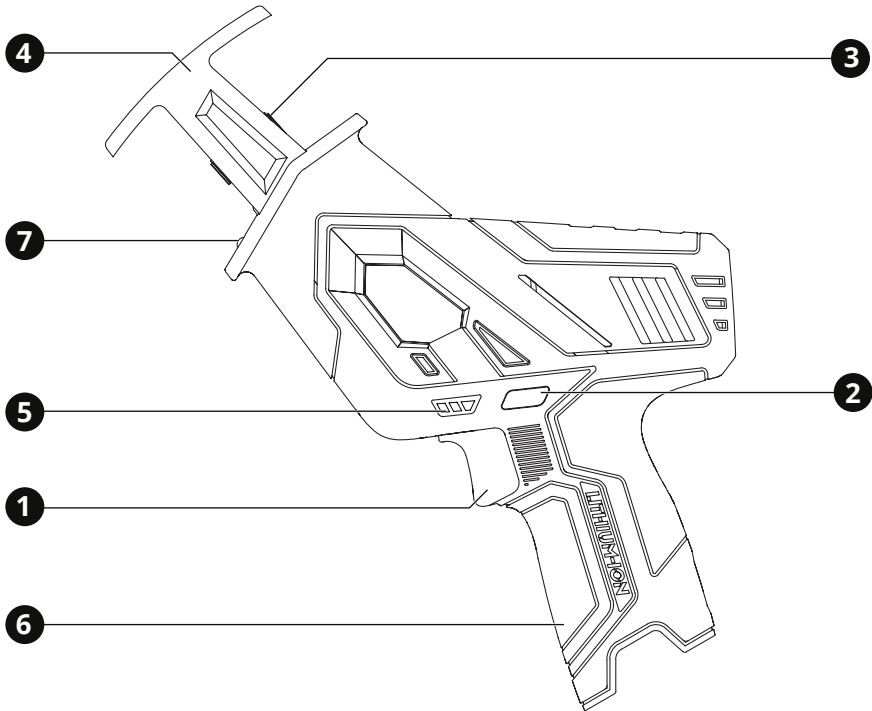
**ΣΠΑΘΟΣΕΓΑ ΜΙΝΙ ΕΠΑΝΑΦ/ΜΕΝΗ**



Operation manual  
Εγχειρίδιο χρήσης

EN | GR





## 1. Overview

### Tool description

- 1** ON / OFF switch
- 2** Safe start button
- 3** Blade clamp
- 4** Shoe
- 5** Battery capacity indicator LED
- 6** Handle
- 7** Working LED light

## 2. General safety regulations

### **⚠ WARNING:**

**Disconnect the plug from the power source before making any assembly, adjustments or changing accessories.** Such preventative safety measures reduce the risk of starting the tool accidentally.

### **Read carefully and understand all instructions before using the tool.**

When using power tools, the following instructions must be followed to prevent hazards such as electric shock, fire and/or serious injury.

### Work area safety

- ▶ Keep work area clean and well lit. Cluttered benches and dark areas invite accidents.
- ▶ Do not operate power tools in explosive atmospheres, such as in the presence of flammable liquids, gases or dust. Power tools create sparks which may ignite the dust or fumes.
- ▶ Keep children and bystanders away while operating a power tool. Distractions can cause you to lose control.

### Electrical safety

- ▶ Power tool plugs must match the outlet. Never modify the plug in any way. Do not use any adapter plugs with earthed (grounded) power tools. Unmodified plugs and matching outlets will reduce the risk of electric shock.
- ▶ Avoid body contact with earthed or grounded surfaces such as pipes, radiators, ranges and refrigerators. There is an increased risk of electric shock if your body is earthed or grounded.
- ▶ Do not expose power tools to rain or wet conditions. Water entering a power tool will increase the risk of electric shock.
- ▶ Do not abuse the cord. Never use the cord for carrying, pulling or unplugging the power tool. Keep cord away from heat, oil, sharp edges or moving parts. Damaged or entangled cords increase the risk of electric shock.
- ▶ When operating a power tool outdoors, use

an extension cord suitable for outdoor use. Use of a cord for outdoor use reduces the risk of electric shock.

### Personal safety

- ▶ Stay alert, watch what you are doing and use common sense when operating a power tool. Do not use a power tool while you are tired or under the influence of drugs, alcohol or medication. A moment of distraction while operating power tools may result in serious personal injury.
- ▶ Use safety equipment. Always wear eye protection. Safety equipment such as dust mask, non-skid safety shoes, hard hat, or hearing protection used for appropriate conditions will reduce personal injuries.
- ▶ Avoid accidental starting. Ensure the switch is in the off-position before plugging in. Carrying power tools with your finger on the switch or plugging in power tools that have the switch on invites accidents.
- ▶ Remove any adjusting key or wrench before turning the power tool ON. A wrench or a key left attached to a rotating part of the power tool may result in personal injury.
- ▶ Do not overreach. Keep proper footing and balance at all times. This enables better control of the power tool in unexpected situations.
- ▶ Dress properly. Do not wear loose clothing or jewellery. Keep your hair, clothing and gloves away from moving parts. Loose clothes, jewellery or long hair can be caught in moving parts.
- ▶ If devices are provided for the connection of dust extraction and collection facilities, ensure these are connected and properly used. Use of these devices can reduce dust related hazards.

### Power tool use and care

- ▶ Do not force the power tool. Use the correct power tool for your application. The correct power tool will do the job better and safer for the purpose for which it was designed.
- ▶ Do not use the power tool if the switch does not turn it ON and OFF. Any power tool that cannot be controlled with the switch is dangerous and must be repaired.

- ▶ Disconnect the plug from the power source before making any adjustments, changing accessories or storing power tools. Such preventative safety measures reduce the risk of starting the power tool accidentally.
  - ▶ Store idle power tools out of the reach of children and do not allow persons unfamiliar with the power tool or these instructions to operate the power tool. Power tools are dangerous in the hands of untrained users.
  - ▶ Maintain power tools, check for misalignment or binding of moving parts, breakage of parts and any other condition that may affect the power tools' operation. If damaged, have the power tool repaired before use. Many accidents are caused by poorly maintained power tools.
  - ▶ Keep cutting tools sharp and clean. Properly maintained cutting tools with sharp cutting edges are less likely to bind and are easier to control.
  - ▶ Use the power tool, accessories and tool bits etc., in accordance with these instructions and in the manner intended for the particular type of power tool, taking into account the working conditions and the work to be performed. Use of the power tool for operations different from intended could result in a hazardous situation.
- ▶ medical help. Liquid ejected from the battery may cause irritation or burns.
  - ▶ Before using battery charger, read all instructions and cautionary markings on battery charger, battery pack, and product using battery.
  - ▶ Cleaning and user maintenance shall not be made by children without supervision.
  - ▶ If the supply cord is damaged, it must be replaced by the manufacturer, its service agent or a similarly qualified person in order to avoid a hazard.
  - ▶ Do not disassemble charger or operate the charger if it has received a sharp blow, been dropped or otherwise damaged in any way. Incorrect reassembly may result in a risk of electric shock, electrocution or fire.
  - ▶ Do not recharge battery in damp or wet environment. Do not expose charger to rain or snow. If battery case is cracked or otherwise damaged, do not insert into charger. Battery short or fire may result.
  - ▶ Make sure that cord is located so that it will not be stepped on, tripped over, or otherwise subjected to damage or stress.
  - ▶ Do not use an extension cord unless it is absolutely necessary. Use of improper extension cord could result in risk of fire, electric shock.

## Battery use and care

- ▶ Recharge only with the charger specified by the manufacturer. A charger that is suitable for one type of battery pack may create a risk of fire when used with another battery pack.
  - ▶ Use power tools only with specifically designated battery packs. Use of any other packs may create a risk of injury and fire.
  - ▶ When battery pack is not in use, keep it away from other metal objects, like paper clips, coins, keys, nails, screws or other small metal objects, that can make a connection from one terminal to another. Shorting the battery may cause irritation or burns.
  - ▶ Under abusive conditions, liquid may be ejected from the battery; avoid contact.
  - ▶ If contact accidentally occurs, flush with water. If liquid contacts eyes, seek additional
- ▶ Disconnect the charger from the outlet before attempting any cleaning. This will reduce the risk of electric shock. Removing the battery pack will not reduce this risk.
  - ▶ The charger is designed to operate on standard household electrical power (220-240 volts, 50-60 Hz AC only). Do not attempt to use it on any other voltage.
  - ▶ This power unit is intended to be correctly orientated in a vertical or floor mount position.
  - ▶ Contents of opened battery cells may cause respiratory irritation. Provide fresh air. If symptoms persist, seek medical attention.
  - ▶ Burn hazard. Battery liquid may be flammable if exposed to spark or flame.
  - ▶ Do not splash or immerse in water or other liquids. This may cause premature cell failure.

- ▶ Do not place batteries in a tool box or pocket with nails, screws, keys, etc. Fire or injury may result.



The KRAUSMANN® UN1 POWER 12V battery can be used with all 12V power tools bearing this marking.

## Service

- ▶ Have your power tool serviced by a qualified repair person using only genuine replacement parts. This will ensure that the safety of the power tool is maintained.
- ▶ Follow instruction for lubricating and changing accessories.
- ▶ Keep handles dry, clean and free from oil and grease.

## 3. Specific safety regulations

DO NOT let comfort or familiarity with product (gained from repeated use) replace strict adherence to electric power tools' safety rules. If you use this tool unsafely or incorrectly, you can suffer serious personal injury.

- 1 Wear ear protectors. Exposure to noise can cause hearing loss.
- 2 Use auxiliary handles supplied with the tool. Loss of control can cause personal injury.
- 3 Hold power tools by insulated gripping surfaces when performing an operation where the cutting tool may contact hidden wiring or its own cord. Contact with a "live" wire will make exposed metal parts of the tool "live" and shock the operator.
- 4 Wear a hard hat (safety helmet), safety glasses and/or face shield. Ordinary eye or sun glasses are NOT safety glasses. It is also highly recommended that you wear a dust mask and thickly padded gloves.
- 5 Be sure the bit is secured in place before operation.
- 6 Under normal operation, the tool is designed to produce vibration. The screws can come loose easily, causing a breakdown or accident. Check tightness of screws carefully before operation.

- 7 In cold weather or when the tool has not been used for a long time, let the tool warm up for a while by operating it under no load. This will loosen up the lubrication.
- 8 Always be sure you have a firm footing. Be sure no one is below when using the tool in high locations.
- 9 Hold the tool firmly with both hands.
- 10 Keep hands away from moving parts.
- 11 Do not leave the tool running. Operate the tool only when hand-held.
- 12 Do not point the tool at any one in the area when operating. Parts could fly out and injure someone seriously.
- 13 Do not touch parts close to the bit immediately after operation; they may be extremely hot and could burn your skin.
- 14 Some material contains chemicals which may be toxic. Take caution to prevent dust inhalation and skin contact. Follow material supplier safety data.

## Additional safety regulations for reciprocating saws

- Keep hands away from the sawing range. Do not reach under the workpiece. Contact with the blade can lead to injuries.
- Do not use other accessories apart from reciprocating saw blades.
- Use blades with great caution according to the instructions supplied with the saw blades.
- Inspect the blade before use. Do not use broken or damaged blades.
- Make sure the blade is fitted according to the instructions.
- After fitting the blade, operate the machine for a while under no load, in a safe place.
- Apply the machine to the workpiece only when switched on. Otherwise there is danger of kickback when the cutting tool jams in the workpiece.
- Do not use adjusters or other aids to fit saw blades with a different blade socket.
- Make sure the piece is properly supported or tightened.
- Use only undamaged blades that are in

perfect condition. Bent or dull blades can break, negatively influence the cut, or lead to kickback.

- Always wear safety goggles, earplugs and other protection gear, like working gloves, protective clothing, hard hat etc.
- Make sure the ventilation openings are kept clean. Especially when working in environments rich in dust.
- In order to prevent damage to the tool's internal parts, do not use cleaning brushes, metallic or similar objects to remove dust.

## SAVE THESE INSTRUCTIONS

### **⚠ WARNING:**

*Misuse or failure to follow the safety rules stated in this instruction manual may cause serious personal injury.*

## 4. Functional description and specifications

### Intended use

The device is intended for sawing wood, metal and plastics. Following these instructions will ensure safe installation and operation of the device.

### Charging the battery

Place the battery pack and charger on a flat non-flammable surface and away from flammable material when re-charging the battery pack.

- Insert the plug on the charging unit into a power socket and turn the power on if required.
- Insert the battery with the charging output interface to the charging port. The charging time depends on the capacity of the battery and the type of the charger.

### **⚠ WARNING:**

*When battery charge runs out after continuous use or exposure to direct sunlight or heat, allow time for the tool to cool down before re-charging to achieve the full charge.*

### Removing or inserting the battery pack

Always switch off the tool before insertion or removal of the battery pack. To remove the battery

pack, withdraw it from the tool while pressing the release button. To insert the battery pack, slide the pack into the body of the tool. Always insert it all the way until it locks in place with a little click. If not, it may accidentally fall off the tool, causing injury to you or someone around you. Do not use force when inserting the battery pack. If the pack does not slide easily, it is not being inserted correctly.

### Battery capacity indicator

The three lights **5** on the side of the tool body (red, orange, green) indicate the battery capacity status.

- **Red:** 0% - 20%
- **Orange:** 20% - 60%
- **Green:** 60% - 100%.

Tool	U63012-00
Power supply	12V
No load speed	0-3000 rpm
Stroke length	15 mm
<i>Cutting capacity in</i>	
Wood	65 mm
Steel	8 mm
Plastic pipe	50 mm
Tool weight	1.05 kg

### Selecting a blade

When selecting a blade, choose the right type and length. Many types of blades are available for a variety of applications: cutting metal, wood, nail-embedded wood, scroll cutting, roughing-in and contours.

Many lengths are also available. Choose a length long enough to extend beyond the shoe and your work throughout the stroke. Do not use blades less than 88mm long since they won't extend beyond the shoe throughout the stroke.

### Installing and removing blades from the blade clamp

Remove battery pack before changing blades. Make sure the spindle and blade clamp areas are clean. Metal chips and sawdust may prevent the Blade Clamp from clamping securely.

- Depending on the job, the blade may be inserted with the teeth facing up or down. To install a blade, twist collar in the direction of the arrow (fig 1) while inserting the blade into the clamp until the tang butts against the collar.
- Release collar and the spring loaded mechanism will clamp the blade firmly in place.
- Twist collar in the opposite direction of the arrow to ensure that the blade is locked into the clamp.
- Tug on blade to make sure it is securely locked in place.
- To remove a blade, twist collar in the direction of the arrow (fig 1) while pulling on the blade. Be careful when handling hot blades.

## Blade Clamp Maintenance

- Periodically clean dust and debris from the Blade Clamp with dry compressed air.
- If the collar resists twisting, twist the collar back and forth to shake debris loose.
- Periodically lubricate the Blade Clamp with a dry lubricant such as graphite.

## Removing broken blades from the Blade Clamp

- Remove battery pack before removing blades.
- Point the tool downward, twist the collar, and shake the tool up and down (DO NOT turn the tool on while your fingers are holding the blade clamp open). The shank of the broken blade should drop out of the clamp.
- If shaking the tool doesn't work - in most cases, a corner of the broken blade will extend beyond the blade clamp. Twist the collar and pull the broken blade out of the clamp by this corner.
- If the broken stub doesn't extend far enough to be grabbed by its corner, use a thin blade with small teeth (such as a metal cutting blade) to hook the blade that is jammed in the clamp while twisting the collar and pull it out.

## Switching ON and OFF

### **⚠ WARNING:**

*Before installing the battery cartridge into the tool, always check to see that the switch trigger actuates properly and returns to the "OFF" position when released.*

Your tool switch is locked off to prevent accidental starting. To switch the tool on, first push the safe start button **2**, then push the ON / OFF switch **1**. The working LED light **5** will light up as soon as you press the ON / OFF switch.

To vary the speed, increase or decrease the pressure on the ON / OFF switch. The further the ON / OFF switch is pulled, the greater the speed.

To turn the tool off, release the ON / OFF switch **1** (fig 2).

## General Cutting

For straight or contour cutting from an edge, line the blade up with your cutting line. Before the blade contacts the workpiece, grasp the handle firmly and pull the ON / OFF switch **1**. Then guide the tool along your cutting line. Always hold the shoe **4** flat against the workpiece to avoid excessive vibration.

## Cutting Metals

Begin cutting at a slow speed, gradually increasing speed as you cut. When cutting into metals or hard materials that can not be cut from an edge, drill a starting hole larger than the widest part of the blade.

## Plunge Cutting

The ideal for plunge cutting directly into surfaces that can not be cut from an edge, such as walls or floors. Do not plunge cut into metal surfaces.

- Insert the blade into the tool with the teeth facing down. Hold the tool resting the edge of the shoe on the workpiece (fig 3).
- With the blade just above the workpiece, start the tool. Using the edge of the shoe as a pivot, lower the blade into the workpiece.
- As the blade starts cutting, raise the handle of the tool slowly until the shoe rests firmly on the workpiece (fig 4). Then guide the tool along your cutting line to acquire the desired cut.



## 5. Maintenance

Correct and regular cleaning will improve the safety and extend the lifespan of the device.

**For safe and proper working, always keep the tool and ventilation slots clean.**

The tool may be cleaned most effectively with compressed dry air or with a soft cloth moistened with soapy water. **Always wear safety goggles when cleaning tools with compressed air.**

**Certain cleaning agents and solvents damage plastic parts.** Some of these are: gasoline, carbon tetrachloride, chlorinated cleaning solvents, ammonia and household detergents that contain ammonia.

The brushes and commutator in your tool have been engineered for many hours of dependable service. To maintain peak efficiency of the motor, we recommend every two to six months the brushes be examined.

Store the tool, operating instructions and where necessary the accessories in the original packaging. In this way you will always have all the information and parts ready to hand.

### ⚠ WARNING:

*Turn the device off, disconnect it from the mains and wait until it cools down before cleaning or maintenance to avoid electric shock or burn.*



**Wear ear defenders**



**Wear safety goggles**



**Wear a dust mask**

## 6. Warranty

This tool has been checked by the manufacturer. From the date of purchase by the final consumer, a two year warranty for **amateur use** covers any faulty material and manufacturing. The receipt or invoice of purchase needs to be displayed in case of a repair that is covered by the warranty. For possible faults during the warranty period, you

should address your issue to the retail shop from which the purchase was made.

## Terms of warranty

The warranty is valid only when:

- The tool has been used properly and for the purpose for which it was purchased.
- The tool presents a problem that is due to faulty material and manufacturing.
- Incapability of the tool to perform according to the technical specs provided.

Damages are not covered by the warranty that are due to causes such as:

- Wear due to improper use.
- Partial or total disassembly. The tool's shell must be disassembled only by personnel authorised by the official distributor.
- Damage due to overloading.
- Usage of incorrect or incompatible accessory.
- Bad maintenance from the operator or any other third party.
- Wear that was induced by external factors or rogue particles (dust, debris etc.)
- Wear due to non compliance with the instructions in this manual.

If, during the warranty period, there is a fault that can not be repaired from the authorised service department, the tool will be replaced without any extra cost.

## 7. Repair / Servicing

In case there is a need for a repair after the warranty period has expired, we will provide the best possible attention to repair the tool successfully.

## 8. Disposal



Do not dispose of electrical machines as unsorted municipal waste, use separate collection facilities.

Contact your local government collection systems for information regarding the collection systems available.

If electrical machines are disposed of in landfills

or dumps, hazardous substances can leak into the groundwater and get into the food chain, damaging your health and well-being. When replacing old machines with new ones, the retailer will be happy to take back your old machine for disposal.

## 9. Declaration of Conformity

### Authorized Representative

#### PAPADEAS S.A.

4-6 Iroon 1912 St., 13671, Acharne, Greece

Herewith declares that:

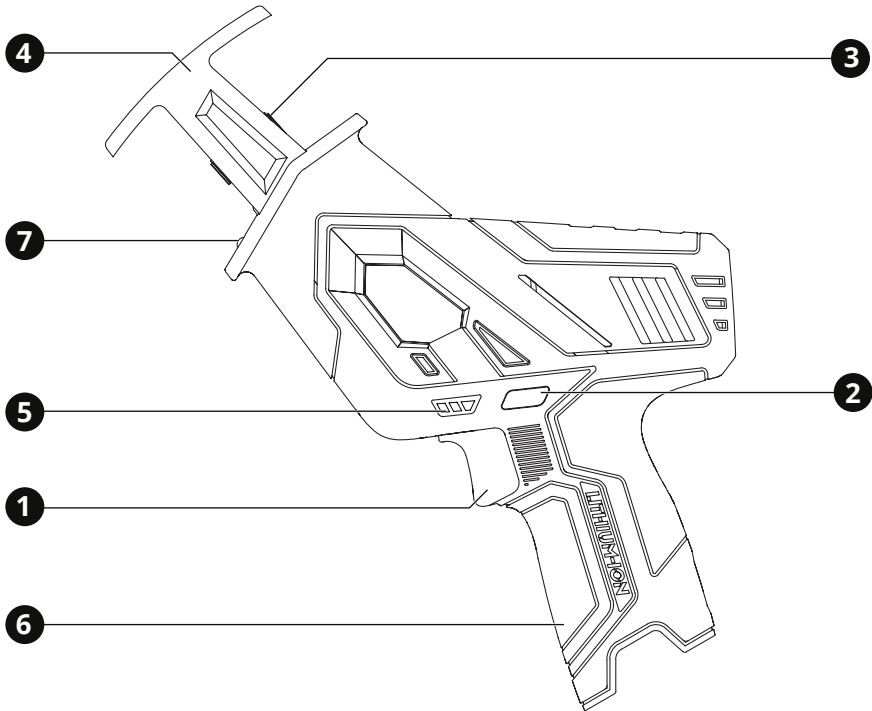
The **Cordless Reciprocating Saw** with **CODE: U63012-00** and distinctive title: **RS08-1120** under the brand **KRAUSMANN** (Description: Cordless Reciprocating, 12V, 230V-50Hz, no-load speed: 0-3000spm, stroke length: 15mm, capacity in wood: 65mm, capacity in steel: 8mm, capacity in plastic pipe: 50mm, in color box packaging), is designed in conformity with provision of the Directives 2006/42/EC, 2014/30/EU and the following manufacturing standards: EN62841-1:2015, EN62841-2-11:2016, EN55014-1:2017, EN55014-2:2015.

Year in which "CE" marking was affixed: 2020

Date: March 18th, 2020



*\* Accessories and contents may change from the production factory without any warnings, in that case the company bears no responsibility.*



## 1. Επισκόπηση

### Περιγραφή Εργαλείου

- 1 Διακόπτης ON / OFF
- 2 Κουμπί ασφαλούς εκκίνησης
- 3 Σφιγκτήρας λάμας
- 4 Πέλιμα
- 5 LED ένδειξη χωρητικότητας μπαταρίας
- 6 Χειρολαβή
- 7 Φως LED εργασίας

## 2. Γενικές οδηγίες ασφαλείας

### **⚠ ΠΡΟΣΟΧΗ:**

**Αποσυνδέστε το φως από την πρίζα πριν προχωρήσετε σε συναρμολόγηση, παραμετροποιήσεις ή αλλαγή αξεσουάρ.**

*Τέτοια προληπτικά μέτρα ασφάλειας μειώνουν τον κίνδυνο ακούσιας εκκίνησης του εργαλείου.*

### **Διαβάστε προσεκτικά και τηρήστε αυτές τις οδηγίες πριν τη χρήση του εργαλείου.**

*Όταν χρησιμοποιείτε ηλεκτρικά εργαλεία, οι ακόλουθες οδηγίες πρέπει να τηρούνται για τη πρόληψη κινδύνου ηλεκτροπληξίας, προσωπικού τραυματισμού και πυρκαγιάς.*

### Ασφάλεια χώρου εργασίας

- ▶ Διατηρείτε το χώρο εργασίας καθαρό και καλά φωτισμένο. Οι βρώμικοι χώροι και οι σκοτεινοί πάγκοι εργασίας κρύβουν κινδύνους.
- ▶ Μη λειτουργείτε ηλεκτρικά εργαλεία στη βροχή ή σε υγρά μέρη. Μη χρησιμοποιείτε τα ηλεκτρικά εργαλεία κοντά σε εύφλεκτα υγρά ή αέρια. Τα ηλεκτρικά εργαλεία δημιουργούν σπινθήρες που μπορεί να αναφλέξουν τη σκόνη ή τις αναθυμιάσεις.
- ▶ Κρατήστε τους επισκέπτες και τα παιδιά μακριά ενώ λειτουργείτε ένα ηλεκτρικό εργαλείο. Κάθε απόσπαση της προσοχής σας μπορεί να προκαλέσει απώλεια ελέγχου του εργαλείου και να προκαλέσει ατύχημα.

### Ασφάλεια ηλεκτρισμού

- ▶ Τα φως των ηλεκτρικών εργαλείων πρέπει να ταιριάζουν με τις πρίζες. Ποτέ μην τροποποιείτε την πρίζα με οποιοδήποτε τρόπο. Μη χρησιμοποιείτε μετατροπείς πρίζας με γειωμένα ηλεκτρικά εργαλεία. Οι πρίζες που δεν έχουν τροποποιηθεί και που ταιριάζουν στο φως θα μειώσουν τον κίνδυνο ηλεκτροπληξίας.
- ▶ Αποφεύγετε σωματική επαφή με γειωμένες επιφάνειες όπως σωλήνες, καλοριφέρ, ψυγεία. Υπάρχει αυξημένος κίνδυνος ηλεκτροπληξίας αν το σώμα σας είναι γειωμένο.

- ▶ Μην εκθέτετε ηλεκτρικά εργαλεία σε συνθήκες βροχής ή σε υγρά. Το νερό που εισέρχεται σε ένα ηλεκτρικό εργαλείο θα αυξήσει τον κίνδυνο ηλεκτροπληξίας.
- ▶ Μην κακομεταχειρίζεστε το καλώδιο. Ποτέ μη χρησιμοποιείτε το καλώδιο για να μεταφέρετε το εργαλείο ή για να το αποσυνδέσετε από την πρίζα τραβώντας το. Φυλάξτε το καλώδιο μακριά από τη ζέστη, το λάδι, κοφτερές επιφάνειες και κινούμενα μέρη. Τα φθαρμένα ή μπερδεμένα καλώδια αυξάνουν τον κίνδυνο ηλεκτροπληξίας.
- ▶ Όταν χρησιμοποιείτε το εργαλείο σε εξωτερικούς χώρους, να χρησιμοποιείτε μόνο προεκτάσεις καλωδίων που είναι κατάλληλες για αντίστοιχη χρήση. Η χρήση ενός τέτοιου καλωδίου μειώνει τον κίνδυνο ηλεκτροπληξίας.

### Προσωπική ασφάλεια

- ▶ Να είστε σε επαγρύπνηση, να προσέχετε τι κάνετε και να χρησιμοποιείτε τη κοινή λογική όταν χρησιμοποιείτε ένα ηλεκτρικό εργαλείο. Μη χρησιμοποιείτε το εργαλείο όταν είστε κουρασμένος ή υπό την επήρεια ναρκωτικών, αλκοόλ ή φαρμακευτικής αγωγής. Μια στιγμή απροσεξίας μπορεί να προκαλέσει σοβαρό προσωπικό τραυματισμό.
- ▶ Χρησιμοποιείτε εξοπλισμό ασφαλείας. Πάντα να φοράτε προστασία για τα μάτια σας. Η χρήση κατάλληλου εξοπλισμού ασφαλείας για τις εκάστοτε συνθήκες εργασίας όπως μάσκα σκόνης, αντιολισθητικά παπούτσια ασφαλείας, κράνος προστασίας ή ωτοασπίδες θα μειώσει τον κίνδυνο προσωπικού τραυματισμού.
- ▶ Αποφύγετε ακούσια εκκίνηση του εργαλείου. Βεβαιωθείτε ότι ο διακόπτης είναι στη θέση OFF πριν το συνδέσετε στην πρίζα. Η μεταφορά εργαλείων που είναι συνδεδεμένα στην πρίζα με το δάκτυλο στο διακόπτη μπορεί να προκαλέσει ατύχημα.
- ▶ Αφαιρέστε τα εργαλεία και κλειδιά ρύθμισης πριν εκκινήσετε το εργαλείο. Αν έχει ξεχαστεί ένα τέτοιο εξάρτημα σε ένα περιτρεφόμενο μέρος του εργαλείου, μπορεί να προκαλέσει προσωπικό τραυματισμό.

- ▶ Μην υπερβάλλετε τεντώνοντας τα σωματικά σας μέρη. Διατηρείστε τη σωστή θέση των ποδιών σας και την ισορροπία σας ανά πάσα στιγμή. Έτσι θα έχετε καλύτερο έλεγχο του ηλεκτρικού εργαλείου σε αναπάντεχες καταστάσεις.
- ▶ Ντυθείτε κατάλληλα. Μη φοράτε χαλαρά ρούχα ή κοσμήματα. Κρατείστε τα μαλλιά, ρούχα και γάντια σας μακριά από κινούμενα μέρη. Τα χαλαρά ρούχα, κοσμήματα ή μακριά μαλλιά ενδέχεται να πιαστούν σε κινούμενα μέρη.
- ▶ Αν παρέχονται εξαρτήματα για εξαγωγή και περισυλλογή σκόνης, βεβαιωθείτε ότι είναι συνδεδεμένα και χρησιμοποιούνται σωστά. Η χρήση τέτοιων εξαρτημάτων μπορεί να μειώσουν κινδύνους που σχετίζονται με τη σκόνη.

## Χρήση και φροντίδα του ηλεκτρικού εργαλείου

- ▶ Μη ζορίζετε το ηλεκτρικό εργαλείο. Χρησιμοποιείστε το κατάλληλο ηλεκτρικό εργαλείο για την κάθε ανάγκη. Το κατάλληλο εργαλείο θα φέρει εις πέρας την εργασία με μεγαλύτερη επιτυχία και ασφάλεια, όταν χρησιμοποιείται για το σκοπό που έχει κατασκευαστεί.
- ▶ Μη χρησιμοποιείτε το ηλεκτρικό εργαλείο αν ο διακόπτης δε γυρνάει στη θέση ON και OFF. Οποιοδήποτε ηλεκτρικό εργαλείο που δεν μπορεί να λειτουργήσει με το διακόπτη είναι επικίνδυνο και πρέπει να επισκευαστεί.
- ▶ Να βγάζετε το φως από την πρίζα πριν προχωρήσετε σε αλλαγές των αξεσουάρ ή σε αποθήκευση. Τέτοια προληπτικά μέτρα ασφαλείας μειώνουν τον κίνδυνο ακούσιας εκκίνησης του εργαλείου.
- ▶ Αποθηκεύστε τα εκτός λειτουργίας ηλεκτρικά εργαλεία σε χώρο που δεν είναι προσίτος σε παιδιά και μην επιτρέπετε να τα λειτουργήσουν άτομα που δεν έχουν την κατάλληλη γνώση ή δεν έχουν διαβάσει το εγχειρίδιο χρήσης. Τα ηλεκτρικά εργαλεία είναι επικίνδυνα στα χέρια μη εκπαιδευμένων ατόμων.
- ▶ Συντηρείστε τα ηλεκτρικά εργαλεία, ελέγξτε την ευθυγράμμιση ή εμπλοκή των κινούμενων τμημάτων, τυχόν ρωγμές

τμημάτων, σύνδεση και κάθε άλλη συνθήκη που μπορεί να το καταστήσει επικίνδυνο και να επηρεάσει τη λειτουργία του. Αν έχει υποστεί ζημιά, πρέπει να επισκευαστεί κατάλληλα από ένα εξουσιοδοτημένο σέρβις πριν χρησιμοποιηθεί. Πολλά ατυχήματα μπορούν να συμβούν από ηλεκτρικά εργαλεία που δεν έχουν συντηρηθεί κατάλληλα.

- ▶ Διατηρείστε τα εργαλεία κοφτερά και καθαρά. Τα εργαλεία κοπής που είναι σωστά διατηρημένα και έχουν κοφτερές άκρες είναι λιγότερο πιθανό να χαλάσουν και είναι πιο εύκολα στον έλεγχο.
- ▶ Χρησιμοποιείτε το ηλεκτρικό εργαλείο, τα αξεσουάρ, τα εξαρτήματα κ.λπ. σύμφωνα με αυτές τις οδηγίες και με τον κατάλληλο τρόπο για το συγκεκριμένο τύπο του ηλεκτρικού εργαλείου, λαμβάνοντας υπόψη τις συνθήκες και την εργασία που πρέπει να πραγματοποιηθεί. Η χρήση του εργαλείου για σκοπούς διαφορετικούς από αυτούς για τους οποίους προορίζεται μπορεί να προκαλέσουν μια επικίνδυνη κατάσταση.

## Χρήση και φροντίδα της μπαταρίας

- ▶ Επαναφορτίστε μόνο με τον φορτιστή που καθορίζεται από τον κατασκευαστή. Ένας φορτιστής που είναι κατάλληλος για έναν τύπο μπαταρίας μπορεί να δημιουργήσει κίνδυνο φωτιάς όταν χρησιμοποιείται με άλλη μπαταρία.
- ▶ Χρησιμοποιείτε ηλεκτρικά εργαλεία μόνο με ειδικές μπαταρίες. Η χρήση οποιωνδήποτε άλλων μπαταριών μπορεί να δημιουργήσει κίνδυνο τραυματισμού και πυρκαγιάς.
- ▶ Όταν η μπαταρία δεν χρησιμοποιείται, κρατήστε την μακριά από άλλα μεταλλικά αντικείμενα, όπως συνδετήρες, νομίσματα, κλειδιά, καρφιά, βίδες ή άλλα μικρά μεταλλικά αντικείμενα, τα οποία μπορούν να συνδέσουν το ένα τερματικό με το άλλο. Το βραχυκύκλωμα της μπαταρίας μπορεί να προκαλέσει ερεθισμό ή εγκαύματα.
- ▶ Σε καταχρηστικές συνθήκες, μπορεί να εκτοξευθεί υγρό από την μπαταρία. Αποφύγετε την επαφή. Σε περίπτωση τυχαίας επαφής, ξεπλύνετε με νερό. Εάν το υγρό έρθει σε επαφή με τα μάτια, ζητήστε

επιπλέον ιατρική βοήθεια. Το υγρό που εξέρχεται από την μπαταρία μπορεί να προκαλέσει ερεθισμό ή εγκαύματα.

- ▶ Πριν χρησιμοποιήσετε το φορτιστή μπαταρίας, διαβάστε όλες τις οδηγίες και τις προειδοποιητικές ενδείξεις στο φορτιστή, τη μπαταρία και το προϊόν που θα χρησιμοποιήσετε την μπαταρία.
- ▶ Ο καθαρισμός και η χρήση της μπαταρίας δεν πρέπει να γίνεται από παιδιά χωρίς επίβλεψη.
- ▶ Εάν το καλώδιο τροφοδοσίας έχει υποστεί ζημιά, πρέπει να αντικατασταθεί από τον κατασκευαστή, τον αντιπρόσωπο σέρβις ή ένα εξειδικευμένο άτομο για να αποφευχθεί ο κίνδυνος.
- ▶ Μην αποσυναρμολογείτε και μην χρησιμοποιείτε το φορτιστή εάν έχει υποστεί έντονο χτύπημα, έχει πέσει ή έχει υποστεί άλλη ζημιά με οποιονδήποτε τρόπο. Η λανθασμένη συναρμολόγηση ενδέχεται να προκαλέσει ηλεκτροπληξία ή πυρκαγιά.
- ▶ Μην επαναφορτίζετε την μπαταρία σε υγρό ή βρεγμένο περιβάλλον. Μην εκθέτετε το φορτιστή σε βροχή ή χιόνι. Εάν η θήκη της μπαταρίας είναι ραγισμένη ή κατεστραμμένη, μην την τοποθετείτε στο φορτιστή. Μπορεί να προκληθεί πυρκαγιά.
- ▶ Βεβαιωθείτε ότι το καλώδιο είναι τοποθετημένο έτσι ώστε να μην πατηθεί ή υποστεί με άλλο τρόπο ζημιά.
- ▶ Μην χρησιμοποιείτε καλώδιο επέκτασης εκτός εάν είναι απολύτως απαραίτητο. Η χρήση ακατάλληλου καλωδίου επέκτασης μπορεί να οδηγήσει σε κίνδυνο πυρκαγιάς ή ηλεκτροπληξίας.
- ▶ Αποσυνδέστε το φορτιστή από την πρίζα πριν τον καθαρισμό. Αυτό θα μειώσει τον κίνδυνο ηλεκτροπληξίας. Η αφαίρεση της μπαταρίας δεν θα μειώσει αυτόν τον κίνδυνο.
- ▶ Ο φορτιστής έχει σχεδιαστεί για να λειτουργεί με τυπική ηλεκτρική ενέργεια οικιακής χρήσης (220-240 volt, μόνο 50-60 Hz AC). Μην επιχειρήσετε να το χρησιμοποιήσετε σε οποιαδήποτε άλλη τάση.
- ▶ Αυτή η μονάδα ισχύος προορίζεται να είναι

σωστά τοποθετημένη σε κατακόρυφη θέση.

- ▶ Το περιεχόμενο της μπαταρίας μπορεί να προκαλέσει ερεθισμό του αναπνευστικού συστήματος. Σε αυτή την περίπτωση να παρέχετε καθαρό αέρα. Εάν τα συμπτώματα επιμένουν, ζητήστε ιατρική βοήθεια.
- ▶ Κίνδυνος εγκαύματος. Το υγρό της μπαταρίας μπορεί να είναι εύφλεκτο εάν εκτίθεται σε σπίθες ή φλόγα.
- ▶ Μην την πιτσιλάτε ή ρίχνετε σε νερό ή άλλα υγρά. Αυτό μπορεί να προκαλέσει βλάβη.
- ▶ Μην τοποθετείτε τη μπαταρία σε εργαλειοθήκη ή τσέπη με καρφιά, βίδες, κλειδιά κ.λπ. Μπορεί να προκληθεί πυρκαγιά ή τραυματισμός.



Η μπαταρία KRAUSMANN® UN1 POWER 12V μπορεί να χρησιμοποιηθεί με όλα τα ηλεκτρικά εργαλεία 12V που φέρουν αυτή τη σήμανση.

## Επισκευή / Σέρβις

- ▶ Δώστε το εργαλείο σας να επισκευαστεί από έναν εξειδικευμένο ειδικό, χρησιμοποιώντας μόνο γνήσια ανταλλακτικά. Αυτό θα εξασφαλίσει τη διατήρηση της ασφάλειας του ηλεκτρικού εργαλείου.
- ▶ Ακολουθείστε τις οδηγίες για τη λίπανση και την αλλαγή των αξεσουάρ.
- ▶ Διατηρείστε τις λαβές στεγνές, καθαρές και χωρίς την ύπαρξη λαδιού και γράσου.

## 3. Ειδικές οδηγίες ασφαλείας

ΜΗΝ αφήνεται την άνεση και την εξοικείωση με το προϊόν (που αποκτήθηκε από εκτεταμένη χρήση) να αντικαταστήσει την αυστηρή συμμόρφωση με τους κανόνες ασφαλείας των ηλεκτρικών εργαλείων. Αν χρησιμοποιείτε αυτό το εργαλείο με λάθος τρόπο και χωρίς ασφάλεια, μπορεί να υποστείτε κάποιο σοβαρό προσωπικό τραυματισμό.

- 1 Na φοράτε προστατευτικά αυτιών. Η έκθεση σε θόρυβο μπορεί να προκαλέσει απώλεια ακοής.
- 2 Na χρησιμοποιείτε το εργαλείο από τη λαβή του. Η απώλεια ελέγχου μπορεί να προκαλέσει προσωπικό τραυματισμό.
- 3 Όταν πραγματοποιείτε εργασίες όπου το εργαλείο μπορεί να έρθει σε επαφή με κρυφή καλωδίωση ή με το ίδιο το καλώδιο, κρατείστε το εργαλείο με μονωμένες επιφάνειες που παρέχουν τριβή. Η επαφή με ένα γυμνό καλώδιο που φέρει ρεύμα θα καταστήσει ηλεκτροφόρα τα εκτεθειμένα μεταλλικά μέρη του εργαλείου και θα προκαλέσει ηλεκτροπληξία στο χειριστή.
- 4 Na φοράτε κράνος προστασίας, γυαλιά προστασίας και / ή μάσκα προσώπου. Τα κανονικά γυαλιά ή γυαλιά ηλίου ΔΕΝ αποτελούν είδη ασφαλείας. Επίσης συνίσταται να φοράτε μάσκα σκόνης και χοντρά μονωμένα γάντια.
- 5 Βεβαιωθείτε ότι τα αξεσουάρ είναι ασφαλισμένα στη θέση τους πριν ξεκινήσετε τη λειτουργία του εργαλείου.
- 6 Υπό κανονικές συνθήκες, το εργαλείο είναι σχεδιασμένο να παράγει δονήσεις. Οι βίδες μπορούν εύκολα να χαλαρώσουν, προκαλώντας ζημιά ή ατύχημα. Να ελέγχετε προσεκτικά ότι οι βίδες είναι σφιγμένες πριν τη χρήση.
- 7 Σε κρίσιμους ή όταν το εργαλείο δεν έχει χρησιμοποιηθεί για αρκετό καιρό, αφήστε το να ζεσταθεί για λίγο λειτουργώντας το σε συνθήκες μηδενικής πίεσης. Με αυτό τον τρόπο θα χαλαρώσει η λίπανση.
- 8 Πάντα να είστε σίγουροι ότι πατάτε γερά στα πόδια σας. Σιγουρευτείτε ότι δεν υπάρχει κάποιος από κάτω όταν χρησιμοποιείτε το εργαλείο σε υψηλές τοποθεσίες.
- 9 Κρατείστε το εργαλείο γερά και με τα δύο σας χέρια.
- 10 Κρατείστε τα χέρια σας μακριά από κινούμενα μέρη.
- 11 Μην αφήνετε το εργαλείο σε λειτουργία. Να το λειτουργείτε μόνο όταν το έχετε στα χέρια σας.
- 12 Μην σημαδεύετε το εργαλείο προς οποιονδήποτε στην περιοχή λειτουργίας.

Κάποιο εξάρτημα ίσως αποκολληθεί με αποτέλεσμα να προκαλέσει σοβαρό τραυματισμό.

- 13 Μην αγγίζετε τα εξαρτήματα κοντά στα κινούμενα μέρη αμέσως μετά τη λειτουργία. Μπορεί τα μέρη του εργαλείου να είναι πολύ ζεστά και να προκαλέσουν εγκαύματα.
- 14 Κάποια υλικά περιέχουν χημικά που μπορεί να είναι τοξικά. Λάβετε μέτρα για να αποφύγετε εισπνοή σκόνης και επαφή με το δέρμα. Ακολουθείστε τις οδηγίες ασφαλείας του παρόχου των υλικών.

## Πρόσθετες οδηγίες ασφαλείας ειδικά για σπαθόσεγες

- Κρατήστε τα χέρια μακριά από την ακτίνα κοπής. Μην πλησιάζετε κάτω από το τεμάχιο εργασίας. Η επαφή με την λάμα σπαθόσεγας μπορεί να οδηγήσει σε τραυματισμούς.
- Μη χρησιμοποιείτε άλλα αξεσουάρ εκτός από λάμες σπαθόσεγας.
- Χρησιμοποιήστε λάμες σπαθόσεγας με μεγάλη προσοχή σύμφωνα με τις οδηγίες που παρέχονται με αυτές.
- Επιθεωρήστε την λάμα πριν τη χρήση. Μη χρησιμοποιείτε σπασμένες ή κατεστραμμένες λάμες.
- Βεβαιωθείτε ότι η λάμα είναι τοποθετημένη σύμφωνα με τις οδηγίες.
- Μετά την τοποθέτηση της λάμας, λειτουργήστε για λίγο το μηχάνημα χωρίς φορτίο, σε ασφαλές μέρος.
- Εφαρμόστε το μηχάνημα στο τεμάχιο εργασίας μόνο όταν είναι σε λειτουργία. Διαφορετικά υπάρχει κίνδυνος ανάκρουσης εάν το εργαλείο κοπής μπλοκάρει στο τεμάχιο εργασίας.
- Μη χρησιμοποιείτε προσαρμοστές ή άλλα βοηθήματα για την τοποθέτηση των λάμων με διαφορετική υποδοχή.
- Βεβαιωθείτε ότι το τεμάχιο εργασίας είναι σωστά στηριγμένο ή σφιγμένο.
- Χρησιμοποιήστε μόνο μη κατεστραμμένες λάμες που βρίσκονται σε άριστη κατάσταση. Οι λυγισμένες ή θαμπές λάμες μπορούν να σπασούν, να επηρεάσουν αρνητικά το κόψιμο ή να οδηγήσουν σε ανακρούσεις.

- Να φοράτε πάντα γυαλιά ασφαλείας, ωτοασπίδες και άλλα προστατευτικά μέσα, όπως γάντια εργασίας, προστατευτικό ένδυμα, κράνος προστασίας κλπ.
- Βεβαιωθείτε ότι τα ανοίγματα εξαερισμού διατηρούνται καθαρά. Ειδικά, όταν εργάζεστε σε χώρους με πολλή σκόνη.
- Μην χρησιμοποιείτε βούρτσες καθαρισμού, μεταλλικά ή παρεμφερή αντικείμενα για να αφαιρέσετε τη σκόνη ώστε να μην προκαλέσετε βλάβη στα εσωτερικά μέρη του εργαλείου.

## ΑΠΟΘΗΚΕΥΣΤΕ ΑΥΤΟ ΤΟ ΕΓΧΕΙΡΙΔΙΟ ΧΡΗΣΗΣ

### ⚠ ΠΡΟΣΟΧΗ:

Κατάχρηση ή μη τήρηση των οδηγιών ασφαλείας που αναγράφονται σε αυτό το εγχειρίδιο χρήσης μπορεί να προκαλέσουν σοβαρό προσωπικό τραυματισμό.

## 4. Περιγραφή λειτουργιών και προδιαγραφών

### Προβλεπόμενη χρήση

Το εργαλείο έχει σχεδιαστεί για πριόνισμα και κόψιμο σε ξύλο, μέταλλο και πλαστικό. Ακολουθώντας αυτές τις οδηγίες θα διασφαλιστεί η ασφαλής εγκατάσταση και λειτουργία του εργαλείου.

### Φόρτιση της μπαταρίας

Τοποθετήστε τη μπαταρία και το φορτιστή σε επίπεδη μη εύφλεκτη επιφάνεια και μακριά από εύφλεκτο υλικό κατά την επαναφόρτιση της.

- Τοποθετήστε το φις του φορτιστή σε μια πρίζα και ενεργοποιήστε το ρεύμα εάν απαιτείται.
- Τοποθετήστε την μπαταρία με τη διεπαφή εξόδου φόρτισης στη θύρα φόρτισης. Ο χρόνος φόρτισης εξαρτάται από την χωρητικότητα της μπαταρίας και τον τύπο του φορτιστή.

### ⚠ ΠΡΟΣΟΧΗ:

Όταν η μπαταρία εξαντλείται μετά από χρήση ή έκθεση σε άμεσο ηλιακό φως / θερμότητα, αφήστε το εργαλείο να κρυώσει πριν επαναλάβετε τη φόρτιση για να επιτευχθεί πλήρης φόρτιση.

## Αφαίρεση ή εγκατάσταση της μπαταρίας

Απενεργοποιείτε πάντα το εργαλείο πριν από την εισαγωγή ή την αφαίρεση της μπαταρίας. Για να αφαιρέσετε την μπαταρία, αποσύρετέ την από το εργαλείο ενώ πατάτε το κουμπί απελευθέρωσης. Για να εισαγάγετε τη μπαταρία, σύρετε τη προς το σώμα του εργαλείου και στρώξτε τη στη θέση της. Εισάγετε τη εντελώς μέσα μέχρι να ασφαλίσει στη θέση της με ένα μικρό κλικ. Εάν όχι, μπορεί να πέσει κατά λάθος από το εργαλείο, προκαλώντας τραυματισμό σε εσάς ή σε κάποιον γύρω σας. Μην ασκείτε δύναμη κατά την εισαγωγή της μπαταρίας. Εάν η μπαταρία δεν γλιστρήσει εύκολα, δεν εισάγεται σωστά.

### Ένδειξη χωρητικότητας μπαταρίας

Τα τρία λαμπάκια **5** στο πλάι του σώματος του εργαλείου (κόκκινο, πορτοκαλί, πράσινο) υποδεικνύουν την κατάσταση φόρτισης της μπαταρίας.

- **Κόκκινο:** 0% - 20%
- **Πορτοκαλί:** 20% - 60%
- **Πράσινο:** 60% - 100%.

Εργαλείο	U63012-00
Τάση λειτουργίας	12V
Ταχύτητα χωρίς φορτίο	0-3000 rpm
Μήκος ταλάντωσης	15 mm
<i>Ικανότητα κοπής σε</i>	
Ξύλο	65 mm
Μέταλλο	8 mm
Πλαστικό σωλήνα	50 mm
Βάρος	1,05 kg

### Επιλογή λάμας

Όταν επιλέγετε μια λάμα, επιλέξτε τον σωστό τύπο και μήκος. Πολλοί τύποι λεπίδων είναι διαθέσιμοι, για μια ποικιλία εφαρμογών: κοπή μετάλλου, ξύλο, ξύλο με καρφιά, κυλινδρική κοπή, τραχιά κοπή και περιγράμματα.

Πολλά μήκη είναι επίσης διαθέσιμα. Επιλέξτε ένα μήκος αρκετά μακρύ για να εκτείνεται πέρα από το πέγμα του εργαλείου και τη δουλειά σας καθ' όλη τη διάρκεια της εργασίας. Μην χρησιμοποιείτε λάμες μικρότερες από 88mm, γιατί δεν θα εκτείνονται πέρα από το πέγμα του εργαλείου.



## Εγκατάσταση και αφαίρεση λάμας από το σφιγκτήρα

Αφαιρέστε την μπαταρία πριν αλλάξετε τις λάμες. Βεβαιωθείτε ότι οι περιοχές του άξονα και του σφιγκτήρα λάμας **3** είναι καθαρή. Τα μεταλλικά θραύσματα και το πριονίδι ενδέχεται να αποτρέψουν την ασφαλή σύφιξη της λάμας.

- Ανάλογο με την εργασία, η λάμα μπορεί να εισαχθεί με τα δόντια στραμμένα προς τα πάνω ή προς τα κάτω. Για να εγκαταστήσετε μια λάμα, περιστρέψτε τον δακτύλιο προς την κατεύθυνση του βέλους (fig 1) ενώ την εισάγετε στον σφιγκτήρα έως ότου το άγκιστρο κουμπώσει.
- Αφήστε τον δακτύλιο και ο μηχανισμός με ελατήριο θα σφίγγει σταθερά τη λάμα στη θέση της.
- Περιστρέψτε τον δακτύλιο στην αντίθετη κατεύθυνση του βέλους για να βεβαιωθείτε ότι η λάμα είναι κλειδωμένη στον σφιγκτήρα.
- Τραβήξτε τη λάμα για να βεβαιωθείτε ότι είναι ασφαλισμένη στη θέση της.
- Για να αφαιρέσετε τη λάμα, περιστρέψτε τον δακτύλιο προς την κατεύθυνση του βέλους (fig 1) τραβώντας τη. Να είστε προσεκτικοί όταν χειρίζεστε καυτές λάμες.

## Συντήρηση του σφιγκτήρα λάμας

- Περιοδικά να καθαρίζετε τη σκόνη και τα θραύσματα από το σφιγκτήρα λάμας με ξηρό συμπιεσμένο αέρα.
- Εάν ο δακτύλιος αντιστέκεται στη περιστροφή, περιστρέψτε τον εμπρός - πίσω για να ξεκολλήσετε τυχόν σκόνη και θραύσματα.
- Περιοδικά να λιπάζετε το σφιγκτήρα λάμας με ξηρό λιπαντικό όπως γραφίτη.

## Αφαίρεση σπασμένων λαμών από το σφιγκτήρα λάμας

- Αφαιρέστε την μπαταρία πριν αφαιρέσετε τις λάμες.
- Στρίψτε το εργαλείο προς τα κάτω, περιστρέψτε τον δακτύλιο και ανακινήστε το εργαλείο πάνω - κάτω (ΜΗΝ ενεργοποιήσετε το εργαλείο ενώ τα δάχτυλά σας κρατούν το σφιγκτήρα λάμας ανοιχτό). Το στέλεχος της σπασμένης λάμας πρέπει να πέσει έξω από το σφιγκτήρα.

- Ίσως κουνώντας το εργαλείο να μην έχει αποτέλεσμα. Στις περισσότερες περιπτώσεις, μια γωνία της σπασμένης λάμας θα εκτείνεται πέρα από το σφιγκτήρα. Στρίψτε τον δακτύλιο και τραβήξτε τη σπασμένη λάμα από το σφιγκτήρα από αυτήν τη γωνία.
- Εάν το σπασμένο στέλεχος δεν εκτείνεται αρκετά ώστε να το πιάσετε, χρησιμοποιήστε μια λεπτή λάμα με μικρά δόντια (όπως μια μεταλλική λάμα κοπής) για να πιάσετε τη λάμα που είναι μπλοκαρισμένη στο σφιγκτήρα ενώ περιστρέφετε τον δακτύλιο και τραβήξτε την έξω.

## Ενεργοποίηση και απενεργοποίηση του εργαλείου

### ⚠ ΠΡΟΣΟΧΗ:

*Πριν εγκαταστήσετε την μπαταρία στο εργαλείο, να ελέγχετε πάντα ότι η σκανδάλη του διακόπτη ON / OFF λειτουργεί σωστά και επιστρέφει στη θέση "OFF" όταν απελευθερώνεται.*

Ο διακόπτης του εργαλείου είναι κλειδωμένος για να αποφευχθεί τυχαία εκκίνηση. Για να ενεργοποιήσετε το εργαλείο, αρχικά πιέστε το κουμπί ασφαλούς εκκίνησης **2**, μετά πατήστε το διακόπτη ON / OFF **1**. Το φως LED εργασίας **5** θα ανάψει μόλις πατήσετε το διακόπτη ON / OFF.

Για να αλλάξετε την ταχύτητα, αυξήστε ή μειώστε την πίεση στο διακόπτη ON / OFF. Όσο περισσότερο τον πιέζετε, τόσο μεγαλύτερη είναι η ταχύτητα.

Για να απενεργοποιήσετε το μηχάνημα, αφήστε το διακόπτη ON / OFF **1** (fig 2).

## Κοπή

Για ευθεία κοπή ή κοπή περιγράμματος από μια άκρη, ευθυγραμμίστε τη λεπίδα με τη γραμμή κοπής σας. Προτού η λάμα έρθει σε επαφή με το τεμάχιο εργασίας, κρατήστε τη λαβή σταθερά και πιέστε το διακόπτη ON / OFF **1**. Στη συνέχεια, καθοδηγήστε το εργαλείο κατά μήκος της γραμμής κοπής σας. Κρατάτε πάντα το πέλμα **4** επίπεδα πάνω στο αντικείμενο εργασίας για να αποφύγετε υπερβολική δόνηση.

## Κοπή μετάλλων

Ξεκινήστε την κοπή με αργή ταχύτητα, αυξάνοντας την σταδιακά καθώς κόβετε. Όταν κόβετε μέταλλα ή σκληρά υλικά που δεν μπορούν να κοπούν από μια άκρη, ανοίξτε μια οπή

εκκίνησης μεγαλύτερη από το ευρύτερο τμήμα της λάμας.

## Κατακόρυφη κοπή

Το ιδανικό για κατακόρυφη κοπή απευθείας σε επιφάνειες που δεν μπορούν να κοπούν από μια άκρη, όπως τοίχοι ή δάπεδα. Μην κάνετε κατακόρυφη κοπή σε μεταλλικές επιφάνειες.

- Τοποθετήστε τη λάμα στο εργαλείο με τα δόντια στραμμένα προς τα κάτω. Κρατήστε το εργαλείο στηρίζοντας την άκρη του πέλματος στο τεμάχιο εργασίας (fig 3).
- Με τη λάμα ακριβώς πάνω από το τεμάχιο εργασίας, ενεργοποιήστε το εργαλείο. Χρησιμοποιώντας το άκρο του πέλματος ως άξονα, χαμηλώστε τη λάμα στο τεμάχιο εργασίας.
- Καθώς η λάμα αρχίζει να κόβει, σηκώστε αργά τη λαβή του εργαλείου έως ότου το πέλμα ακουμπήσει σταθερά στο τεμάχιο εργασίας (fig 4). Στη συνέχεια, καθοδηγήστε το εργαλείο κατά μήκος της γραμμής κοπής σας για να αποκτήσετε την επιθυμητή κοπή.

## 5. Συντήρηση

Ο σωστός και τακτικός καθαρισμός θα βελτιώσει την ασφάλεια και θα επεκτείνει τη διάρκεια ζωής του εργαλείου.

**Για ασφαλή και σωστή εργασία, πάντα να κρατάτε καθαρές τις υποδοχές εξαερισμού και το ίδιο το εργαλείο σε καλή κατάσταση.**

Το εργαλείο μπορεί να καθαριστεί αποτελεσματικά με ξηρό συμπιεσμένο αέρα ή με ένα μαλακό πανί βρεγμένο με σαπουνό νερό.

**Πάντα να φοράτε προστατευτικά ματιών όταν καθαρίζετε τα εργαλεία με συμπιεσμένο αέρα.**

**Ορισμένα καθαριστικά μέσα και διαλύτες μπορεί να προκαλέσουν βλάβη σε πλαστικά μέρη.** Κάποια από αυτά είναι: βενζίνη, τετραχλωράνθρακας, χλωριωμένοι διαλύτες καθαρισμού, αμμωνία και οικιακά απορρυπαντικά που περιέχουν αμμωνία.

Οι ψύκτρες (καρβονάκια) και ο διακόπτης στο εργαλείο σας έχουν σχεδιαστεί για πολλές ώρες αξιόπιστης λειτουργίας. Για να διατηρηθεί η μέγιστη απόδοση του κινητήρα, συνιστούμε κάθε δύο έως έξι μήνες να εξετάζονται οι ψύκτρες,

Αποθηκεύστε το εργαλείο, το εγχειρίδιο χρήσης και όπου είναι απαραίτητο τα αξεσουάρ στη γνήσια συσκευασία. Με αυτό τον τρόπο θα έχετε πάντα όλη την πληροφορία και τα διάφορα μέρη στη διάθεσή σας.

### ⚠ ΠΡΟΣΟΧΗ:

Απενεργοποιήστε το εργαλείο, αποσυνδέστε την από το ρεύμα και περιμένετε μέχρι να κρυώσει πριν από τον καθαρισμό ή τη συντήρηση για να αποφύγετε ηλεκτροπληξία ή εγκαύματα.



**Να φοράτε προστατευτικά αυτιών**



**Να φοράτε προστατευτικά ματιών**



**Να φοράτε μάσκα για τη σκόνη**

## 6. Εγγύηση

Αυτό το εργαλείο έχει ελεγχθεί από τον κατασκευαστή. Από την ημερομηνία αγοράς από τον τελικό καταναλωτή, η εγγύηση δύο ετών για **ερασιτεχνική χρήση** καλύπτει κάθε ελαττωματικό υλικό και κατασκευή. Η απόδειξη ή το τιμολόγιο αγοράς πρέπει να επιδεικνύεται σε περίπτωση επισκευής που καλύπτεται από την εγγύηση. Για πιθανές βλάβες κατά τη διάρκεια της περιόδου εγγύησης, θα πρέπει να απευθυνθείτε στο κατάστημα λιανικής πώλησης από το οποίο πραγματοποιήθηκε η αγορά.

### Όροι εγγύησης

Η εγγύηση ισχύει μόνο όταν:

- Το εργαλείο έχει χρησιμοποιηθεί σωστά και για τον σκοπό για τον οποίο αγοράστηκε.
- Το εργαλείο παρουσιάζει ένα πρόβλημα που οφείλεται σε ελαττωματικό υλικό και κατασκευή.
- Το εργαλείο αδυναμεί να εκτελέσει εργασίες σύμφωνα με τις τεχνικές προδιαγραφές που παρέχονται.

Δεν καλύπτονται από την εγγύηση ζημιές που οφείλονται σε αιτίες όπως:

- Φθορά λόγω ακατάλληλης χρήσης.

- Μερική ή ολική αποσυναρμολόγηση. Η αποσυναρμολόγηση πρέπει να γίνεται μόνο από προσωπικό εξουσιοδοτημένο από τον επίσημο διανομέα.
- Ζημιές λόγω υπερφόρτωσης.
- Χρήση εσφαλμένου ή ασύμβατου εξαρτήματος.
- Κακή συντήρηση από τον χειριστή ή οποιοδήποτε άλλο τρίτο μέρος.
- Φθορά που προκλήθηκε από εξωτερικούς παράγοντες ή ξένα σωματίδια (σκόνη, μπάζα κ.λπ.)
- Φθορά λόγω μη συμμόρφωσης με τις οδηγίες αυτού του εγχειριδίου.

Εάν, κατά τη διάρκεια της περιόδου εγγύησης, υπάρχει ζημιά που δεν μπορεί να επισκευαστεί από το εξουσιοδοτημένο τμήμα σέρβις, το εργαλείο θα αντικατασταθεί χωρίς πρόσθετο κόστος.

## 7. Επισκευή / Σέρβις

Σε περίπτωση ανάγκης για επισκευή μετά τη λήξη της περιόδου εγγύησης, θα δώσουμε την καλύτερη δυνατή προσοχή για την επιτυχή επιδιόρθωση του εργαλείου.

## 8. Περιβάλλον



Μην απορρίπτετε τις ηλεκτρικές μηχανές ως αστικά απόβλητα χωρίς διαλογή, χρησιμοποιήστε χωριστές εγκαταστάσεις συλλογής.

Επικοινωνήστε με τα συστήματα συλλογής τοπικής κυβέρνησης που είναι διαθέσιμα. Εάν τα ηλεκτρικά μηχανήματα απορρίπτονται σε χώρους υγειονομικής ταφής ή χωματερές, επικίνδυνες ουσίες μπορεί να διαρρεύσουν στα υπόγεια ύδατα και να εισέλθουν στην τροφική αλυσίδα, βλάπτοντας την υγεία και την ευημερία.

Κατά την αντικατάσταση των παλαιών μηχανημάτων με καινούργια, ο έμπορος λιανικής θα χαρεί να πάρει πίσω το παλιό σας μηχανήμα για απόρριψη.

## 9. Δήλωση Συμμόρφωσης

### Εξουσιοδοτημένος Αντιπρόσωπος

#### ΠΑΠΑΔΕΑΣ Α.Ε.

Ηρώων 1912 4-6, 13671, Αχαρναί, Ελλάδα

Δια της παρούσης δηλώνεται ότι:

Η **Σπαθόσεγα** με **ΚΩΔΙΚΟ: U63012-00** και διακριτικό τίτλο: **RS08-1120** υπό την επωνυμία **KRAUSMANN** (Περιγραφή: Σπαθοσεγα, 12V, 230V~50Hz, ταχύτητα χωρίς φορτίο: 0-3000srpm, μήκος διαδρομής: 15mm, κοπή σε ξύλο: 65mm, κοπή σε μέταλλο: 8mm, κοπή σε πλαστικό σωλήνα: 50mm, σε άχρωμο κουτί), είναι σχεδιασμένο σύμφωνα με τις διατάξεις των Οδηγιών 2006/42/EC, 2014/30/EU και σύμφωνα με τα ακόλουθα πρότυπα: N62841-1:2015, EN62841-2-11:2016, EN55014-1:2017, EN55014-2:2015.

Έτος απόκτησης "CE" πιστοποίησης: 2020  
Ημερομηνία: 18 Μαρτίου 2020



\* Τα αξεσουάρ και τα περιεχόμενα ενδέχεται να αλλάξουν από το εργοστάσιο παραγωγής χωρίς προειδοποίηση, σε αυτή την περίπτωση η εταιρεία δεν φέρει καμία ευθύνη.

**KRAUSMANN**<sup>®</sup>  
P O W E R T O O L S

**RELIABLE PERFORMANCE**

***U63012-00***

[www.krausmann.gr](http://www.krausmann.gr)

